

FRONT SEAL

136105



Description: FRONT SEAL
SKU: 136105
OEM: 3937111
Product Group: ENGINE PARTS
Product Class: CRANKSHAFTS & SEALS
UPC Code: 193807163853
Sell Pack: 1 EA
Weight: 0.27 LBS
Warranty: 2 Years



Details:

Front Seal
 Use w/ CUP 136035 Wear Ring
 Can be Used w/o Wear Ring
 2.50in Free I.D. x 3.13in O.D. x 0.31in Width
 63.5mm Free I.D. x 79.5mm O.D. x 7.87mm Width
 Primary Application: Multiple

E-Catalog Pages:

Catalog Page	Description

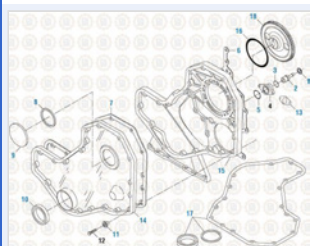
Copyright © 2020 PAI Industries, Inc.
 All rights reserved. All content is property of PAI Industries, Inc, and may not be reproduced or redistributed in any form.
 Any reference to OEM names or OEM product identification numbers/descriptions/model numbers is for identification only and does not indicate that it is an OEM part. PAI is not affiliated with Mack Truck, Inc.®, Volvo®, Fuller®, Cummins®, Eaton®, Rockwell®, Caterpillar®, Freightliner®, Hendrickson®, Kenworth®, Detroit Diesel®, International®, Peterbilt®, or Dana®. All Manufacturer's names, numbers, symbols and descriptions are used for reference only. It is not implied that any part listed is the product of these manufacturers.

FRONT SEAL

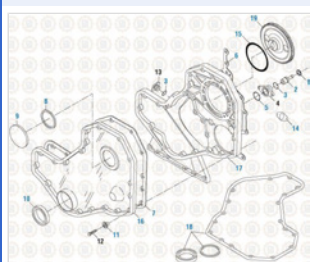
136105



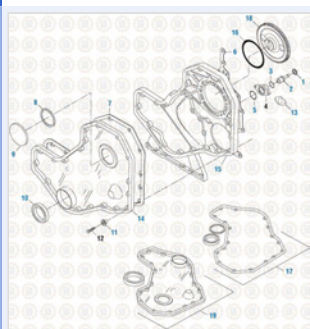
Drive Train 2016
Seals - Miscellaneous




Cummins Engine 2017
Gear Housing and Gear Covers - 4B Series



Cummins Engine 2017
Gear Housing and Gear Covers - 6B Series



Cummins Engine 2017
Gear Housing and Gear Cover - ISB / QSB Series

Component Of:		
SKU	Image	Description
060081		COVER ASSEMBLY
131899		LOWER GASKET KIT
131899R		LOWER GASKET KIT
ISB411-076		ENGINE KIT
ISB411-076HP		HIGH PERFORMANCE ENGINE OVERHAUL KIT

Copyright © 2020 PAI Industries, Inc.
All rights reserved. All content is property of PAI Industries, Inc. and may not be reproduced or redistributed in any form.

Any reference to OEM names or OEM product identification numbers/descriptions/model numbers is for identification only and does not indicate that it is an OEM part. PAI is not affiliated with Mack Truck, Inc.®, Volvo®, Fuller®, Cummins®, Eaton®, Rockwell®, Caterpillar®, Freightliner®, Hendrickson®, Kenworth®, Detroit Diesel®, International®, Peterbilt®, or Dana®. All Manufacturer's names, numbers, symbols and descriptions are used for reference only. It is not implied that any part listed is the product of these manufacturers.

FRONT SEAL

136105

ISB411-077	.	ENGINE KIT
ISB411-081	.	ENGINE KIT
ISB411-087	.	ENGINE KIT
ISB411-098	.	ENGINE KIT
ISB411-101	.	ENGINE KIT
ISB411-107	.	ENGINE KIT
ISB411-126	.	ENGINE KIT
ISB412-076	.	ENGINE KIT
ISB412-082	.	ENGINE KIT (4.5)
ISB412-101	.	ENGINE KIT
ISB412-107	.	ENGINE KIT
ISB605-001	.	ENGINE KIT
ISB605-010	.	ENGINE KIT
ISB605-026	.	ENGINE KIT
ISB605-026HP	.	HIGH PERFORMANCE OVERHAUL ENGINE KIT
ISB605-032	.	ENGINE KIT
ISB605-037	.	ENGINE KIT
ISB605-041	.	INFRAME ENGINE KIT
ISB605-076	.	ENGINE KIT
ISB605-076HP	.	HIGH PERFORMANCE OVERHAUL ENGINE KIT
ISB605-082	.	ENGINE KIT
ISB605-086	.	ENGINE KIT
ISB605-087	.	ENGINE KIT
ISB605-101	.	ENGINE KIT
ISB605-101HP	.	HIGH PERFORMANCE OVERHAUL ENGINE KIT
ISB605-106	.	ENGINE KIT
ISB605-107	.	ENGINE KIT
ISB605-108	.	ENGINE KIT
ISB605-126	.	ENGINE KIT
ISB605-132	.	ENGINE KIT
ISB606-001	.	ENGINE KIT
ISB606-013	.	ENGINE KIT
ISB606-017	.	ENGINE KIT
ISB606-026	.	ENGINE KIT
ISB606-026HP	.	HIGH PERFORMANCE OVERHAUL ENGINE KIT
ISB606-027	.	ENGINE KIT
ISB606-028	.	ENGINE KIT
ISB606-032	.	ENGINE KIT
ISB606-036	.	ENGINE KIT
ISB606-037	.	ENGINE KIT

Copyright © 2020 PAI Industries, Inc.

All rights reserved. All content is property of PAI Industries, Inc. and may not be reproduced or redistributed in any form.

Any reference to OEM names or OEM product identification numbers/descriptions/model numbers is for identification only and does not indicate that it is an OEM part. PAI is not affiliated with Mack Truck, Inc.®, Volvo®, Fuller®, Cummins®, Eaton®, Rockwell®, Caterpillar®, Freightliner®, Hendrickson®, Kenworth®, Detroit Diesel®, International®, Peterbilt®, or Dana®. All Manufacturer's names, numbers, symbols and descriptions are used for reference only. It is not implied that any part listed is the product of these manufacturers.

FRONT SEAL

136105

ISB606-042	.	ENGINE KIT
ISB606-051	.	ENGINE KIT
ISB606-051HP	.	HIGH PERFORMANCE ENGINE KIT
ISB606-056	.	ENGINE KIT
ISB606-062	.	ENGINE KIT
ISB606-076	.	ENGINE KIT
ISB606-076HP	.	HIGH PERFORMANCE ENGINE KIT
ISB606-077	.	ENGINE KIT
ISB606-081	.	ENGINE KIT
ISB606-082	.	ENGINE KIT
ISB606-083	.	ENGINE KIT
ISB606-086	.	ENGINE KIT
ISB606-087	.	ENGINE KIT
ISB606-088	.	ENGINE KIT
ISB606-091	.	ENGINE KIT
ISB606-092	.	ENGINE KIT
ISB606-094	.	ENGINE KIT
ISB606-101	.	ENGINE KIT
ISB606-101HP	.	HIGH PERFORMANCE ENGINE KIT
ISB606-102	.	ENGINE KIT
ISB606-102HP	.	HIGH PERFORMANCE ENGINE KIT
ISB606-106	.	ENGINE KIT
ISB606-107	.	ENGINE KIT
ISB606-107HP	.	HIGH PERFORMANCE ENGINE KIT
ISB606-108	.	ENGINE KIT
ISB606-111	.	ENGINE KIT
ISB606-112	.	ENGINE KIT
ISB606-113	.	ENGINE KIT
ISB606-114	.	ENGINE KIT
ISB606-116	.	ENGINE KIT
ISB606-117	.	ENGINE KIT
ISB606-118	.	ENGINE KIT
ISB606-119	.	ENGINE KIT
ISB606-122	.	ENGINE KIT
ISB606-126	.	ENGINE KIT
ISB606-126HP	.	HIGH PERFORMANCE ENGINE KIT
ISB606-127	.	ENGINE KIT
ISB606-131	.	ENGINE KIT
ISB606-132	.	ENGINE KIT

Copyright © 2020 PAI Industries, Inc.

All rights reserved. All content is property of PAI Industries, Inc. and may not be reproduced or redistributed in any form.

Any reference to OEM names or OEM product identification numbers/descriptions/model numbers is for identification only and does not indicate that it is an OEM part. PAI is not affiliated with Mack Truck, Inc.®, Volvo®, Fuller®, Cummins®, Eaton®, Rockwell®, Caterpillar®, Freightliner®, Hendrickson®, Kenworth®, Detroit Diesel®, International®, Peterbilt®, or Dana®. All Manufacturer's names, numbers, symbols and descriptions are used for reference only. It is not implied that any part listed is the product of these manufacturers.

FRONT SEAL

136105

ISB606-133	.	ENGINE KIT
ISB606-136	.	ENGINE KIT
ISB606-137	.	ENGINE KIT
ISB606-138	.	ENGINE KIT
ISB606-141	.	ENGINE KIT
ISB606-142	.	ENGINE KIT
ISB606-143	.	ENGINE KIT
ISB606-144	.	ENGINE KIT
ISB606-147	.	ENGINE KIT
ISB607-001	.	ENGINE KIT
ISB607-026	.	ENGINE KIT
ISB607-031	.	ENGINE KIT
ISB607-051	.	ENGINE KIT
ISB607-076	.	ENGINE KIT
ISB607-076HP	.	HIGH PERFORMANCE ENGINE KIT
ISB607-082	.	ENGINE KIT
ISB607-087	.	ENGINE KIT
ISB607-088	.	ENGINE KIT
ISB607-101	.	ENGINE KIT
ISB607-101HP	.	ENGINE KIT
ISB607-102	.	ENGINE KIT
ISB607-106	.	ENGINE KIT
ISB607-107	.	ENGINE KIT
ISB607-112	.	ENGINE KIT (ISB6)
ISB607-113	.	ENGINE KIT
ISB607-116	.	ENGINE KIT
ISB607-117	.	ENGINE KIT
ISB607-119	.	ENGINE KIT
ISB607-126	.	ENGINE KIT
ISB607-131	.	ENGINE KIT
ISB607-132	.	ENGINE KIT
ISB607-137	.	ENGINE KIT
ISB608-001	.	ENGINE KIT
ISB608-026	.	ENGINE KIT
ISB608-032	.	ENGINE KIT
ISB608-051	.	ENGINE KIT
ISB608-076	.	ENGINE KIT
ISB608-082	.	ENGINE KIT
ISB608-092	.	ENGINE KIT
ISB608-101	.	ENGINE KIT

Copyright © 2020 PAI Industries, Inc.

All rights reserved. All content is property of PAI Industries, Inc. and may not be reproduced or redistributed in any form.

Any reference to OEM names or OEM product identification numbers/descriptions/model numbers is for identification only and does not indicate that it is an OEM part. PAI is not affiliated with Mack Truck, Inc.®, Volvo®, Fuller®, Cummins®, Eaton®, Rockwell®, Caterpillar®, Freightliner®, Hendrickson®, Kenworth®, Detroit Diesel®, International®, Peterbilt®, or Dana®. All Manufacturer's names, numbers, symbols and descriptions are used for reference only. It is not implied that any part listed is the product of these manufacturers.

FRONT SEAL

136105

ISB608-107	.	ENGINE KIT
ISB608-126	.	ENGINE KIT
ISB608-132	.	ENGINE KIT
ISB621-026HP	.	HIGH PERFORMANCE OVERHAUL ENGINE KIT
ISB631-076	.	ENGINE OVERHAUL KIT
ISB631-076HP	.	HIGH PERFORMANCE OVERHAUL ENGINE KIT
ISB631-081	.	OVERHAUL ENGINE KIT
ISB631-082	.	ENGINE OVERHAUL KIT
ISB631-086	.	ENGINE KIT
ISB631-087	.	ENGINE KIT
ISB631-101	.	ENGINE OVERHAUL KIT
ISB631-101HP	.	HIGH PERFORMANCE OVERHAUL ENGINE KIT
ISB631-106	.	ENGINE OVERHAUL KIT
ISB631-107	.	ENGINE OVERHAUL KIT
ISB631-112	.	ENGINE OVERHAUL KIT
ISB631-113	.	ENGINE OVERHAUL KIT
ISB631-117	.	ENGINE KIT
ISB631-126	.	ENGINE OVERHAUL KIT
ISB631-127	.	ENGINE KIT
ISB631-131	.	ENGINE OVERHAUL KIT
ISB631-133	.	ENGINE KIT
ISB631-151	.	ENGINE OVERHAUL KIT
ISB631-151HP	.	HIGH PERFORMANCE OVERHAUL ENGINE KIT
ISB631-157	.	ENGINE OVERHAUL KIT
ISB631-161	.	ENGINE KIT
ISB631-162	.	ENGINE OVERHAUL KIT
ISB631-167	.	ENGINE KIT
ISB631-226HP	.	HIGH PERFORMANCE OVERHAUL ENGINE KIT
ISB631-251HP	.	HIGH PERFORMANCE OVERHAUL ENGINE KIT
ISB631-257	.	OVERHAUL ENGINE KIT

Cross Reference:

Manufacturer	OEM Number
CUMMINS	3900709
CUMMINS	3904353
CUMMINS	3937111
CUMMINS	3968275
CUMMINS	4931561
CUMMINS	3935959