

# SEAL

136139




**Description:** SEAL  
**SKU:** 136139  
**OEM:** 3685173  
**Product Group:** ENGINE PARTS  
**Product Class:** CRANKSHAFTS & SEALS  
**UPC Code:** 193807164584  
**Sell Pack:** 1 EA  
**Weight:** 0.73 LBS  
**Warranty:** 2 Years



**Details:**

Seal, 5.5 in Free ID x 6.63 in OD x 0.87 in Width  
 139.7 mm Free ID x 168.4 mm OD x 22.09 mm Width, Primary Application : Cummins ISX

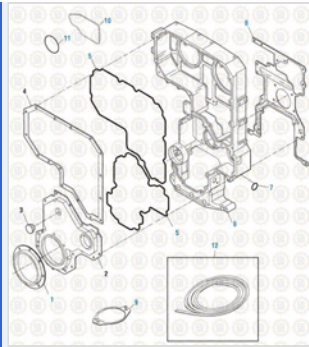
**E-Catalog Pages:**

Catalog Page	Description
	<p><b>Drive Train 2016</b>                      Seals - Miscellaneous</p>

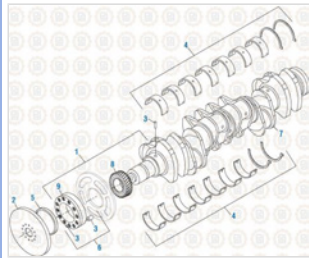
**Copyright © 2020 PAI Industries, Inc.**  
 All rights reserved. All content is property of PAI Industries, Inc, and may not be reproduced or redistributed in any form.  
 Any reference to OEM names or OEM product identification numbers/descriptions/model numbers is for identification only and does not indicate that it is an OEM part. PAI is not affiliated with Mack Truck, Inc.®, Volvo®, Fuller®, Cummins®, Eaton®, Rockwell®, Caterpillar®, Freightliner®, Hendrickson®, Kenworth®, Detroit Diesel®, International®, Peterbilt®, or Dana®. All Manufacturer's names, numbers, symbols and descriptions are used for reference only. It is not implied that any part listed is the product of these manufacturers.

# SEAL

136139




**Cummins Engine 2017**  
Front Cover Components - ISX Series



**Cummins Engine 2017**  
Crankshaft - ISX Series

**Component Of:**

SKU	Image	Description
<a href="#">131851</a>		LOWER GASKET KIT

**Cross Reference:**

Manufacturer	OEM Number
CUMMINS	3685173

Copyright © 2020 PAI Industries, Inc.  
All rights reserved. All content is property of PAI Industries, Inc, and may not be reproduced or redistributed in any form.

Any reference to OEM names or OEM product identification numbers/descriptions/model numbers is for identification only and does not indicate that it is an OEM part. PAI is not affiliated with Mack Truck, Inc.®, Volvo®, Fuller®, Cummins®, Eaton®, Rockwell®, Caterpillar®, Freightliner®, Hendrickson®, Kenworth®, Detroit Diesel®, International®, Peterbilt®, or Dana®. All Manufacturer's names, numbers, symbols and descriptions are used for reference only. It is not implied that any part listed is the product of these manufacturers.