

OIL PAN ASSEMBLY

141282E



Description:	OIL PAN ASSEMBLY
SKU:	141282E
OEM:	3046951
Product Group:	ENGINE PARTS
Product Class:	OIL PANS & RELATED PARTS
UPC Code:	193807118778
Sell Pack:	1 EA
Weight:	48.60 LBS
Package Dimensions (LxWxH):	52 x 19 x 15 inches
Warranty:	1 Year



Details:
 This front sump engine oil pan assembly is made of steel, finished in black and fits Cummins 855 / N14 engines.

E-Catalog Pages:

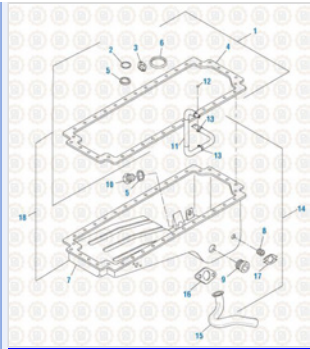
Catalog Page	Description
	<p>Cummins Engine 2017 Oil Pan Kit and Components - 855 Series</p>

Copyright © 2020 PAI Industries, Inc.
 All rights reserved. All content is property of PAI Industries, Inc, and may not be reproduced or redistributed in any form.

Any reference to OEM names or OEM product identification numbers/descriptions/model numbers is for identification only and does not indicate that it is an OEM part. PAI is not affiliated with Mack Truck, Inc.®, Volvo®, Fuller®, Cummins®, Eaton®, Rockwell®, Caterpillar®, Freightliner®, Hendrickson®, Kenworth®, Detroit Diesel®, International®, Peterbilt®, or Dana®. All Manufacturer's names, numbers, symbols and descriptions are used for reference only. It is not implied that any part listed is the product of these manufacturers.

OIL PAN ASSEMBLY

141282E



Cummins Engine 2017
Oil Pan and Components - N14 Series

Consists Of:

SKU	OEM	Image	Description	Quantity
131391	67946		WASHER	1
040100	3095723		NUT	2
EPP-3575	49AX234Z		PLUG	2
EPP-3566	49AX226		PLUG	1

Copyright © 2020 PAI Industries, Inc.
All rights reserved. All content is property of PAI Industries, Inc. and may not be reproduced or redistributed in any form.

Any reference to OEM names or OEM product identification numbers/descriptions/model numbers is for identification only and does not indicate that it is an OEM part. PAI is not affiliated with Mack Truck, Inc.®, Volvo®, Fuller®, Cummins®, Eaton®, Rockwell®, Caterpillar®, Freightliner®, Hendrickson®, Kenworth®, Detroit Diesel®, International®, Peterbilt®, or Dana®. All Manufacturer's names, numbers, symbols and descriptions are used for reference only. It is not implied that any part listed is the product of these manufacturers.

OIL PAN ASSEMBLY

141282E

042031	3039267		CLAMP	2
141325	3095050		OIL PICKUP TUBE	1
042010	3055069		DRAIN PLUG	1
141318	3046947		OIL PAN	1

Cross Reference:

Manufacturer	OEM Number
CUMMINS	3046951

Copyright © 2020 PAI Industries, Inc.
 All rights reserved. All content is property of PAI Industries, Inc, and may not be reproduced or redistributed in any form.

Any reference to OEM names or OEM product identification numbers/descriptions/model numbers is for identification only and does not indicate that it is an OEM part. PAI is not affiliated with Mack Truck, Inc.®, Volvo®, Fuller®, Cummins®, Eaton®, Rockwell®, Caterpillar®, Freightliner®, Hendrickson®, Kenworth®, Detroit Diesel®, International®, Peterbilt®, or Dana®. All Manufacturer's names, numbers, symbols and descriptions are used for reference only. It is not implied that any part listed is the product of these manufacturers.