

OIL PAN

141285



Description: OIL PAN
SKU: 141285
OEM: 4952785
Product Group: ENGINE PARTS
Product Class: OIL PANS & RELATED PARTS
UPC Code: 193807223595
Sell Pack: 1 EA
Weight: 35.80 LBS
Package Dimensions (LxWxH): 45 x 16 x 15 inches
Warranty: 2 Years



Details:
 This front sump engine oil pan is made of steel, finished in black and fits Cummins M11 engines.

Substitute:

SKU	Sell Pack	Weight	Warranty	Description
141285E	1	35.95 LBS	1 Year	FRONT SUMP OIL PAN

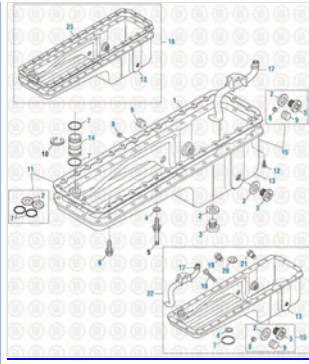
E-Catalog Pages:

Catalog Page	Description

Copyright © 2020 PAI Industries, Inc.
 All rights reserved. All content is property of PAI Industries, Inc, and may not be reproduced or redistributed in any form.
 Any reference to OEM names or OEM product identification numbers/descriptions/model numbers is for identification only and does not indicate that it is an OEM part. PAI is not affiliated with Mack Truck, Inc.®, Volvo®, Fuller®, Cummins®, Eaton®, Rockwell®, Caterpillar®, Freightliner®, Hendrickson®, Kenworth®, Detroit Diesel®, International®, Peterbilt®, or Dana®. All Manufacturer's names, numbers, symbols and descriptions are used for reference only. It is not implied that any part listed is the product of these manufacturers.

OIL PAN

141285



Cummins Engine 2017
Oil Pan - L10 / M11 / ISM Series

Cross Reference:

Manufacturer	OEM Number
CUMMINS	3895789
CUMMINS	3896253
CUMMINS	3896327
CUMMINS	4004588
CUMMINS	4004858
CUMMINS	4952785

Copyright © 2020 PAI Industries, Inc.

All rights reserved. All content is property of PAI Industries, Inc, and may not be reproduced or redistributed in any form.

Any reference to OEM names or OEM product identification numbers/descriptions/model numbers is for identification only and does not indicate that it is an OEM part. PAI is not affiliated with Mack Truck, Inc.®, Volvo®, Fuller®, Cummins®, Eaton®, Rockwell®, Caterpillar®, Freightliner®, Hendrickson®, Kenworth®, Detroit Diesel®, International®, Peterbilt®, or Dana®. All Manufacturer's names, numbers, symbols and descriptions are used for reference only. It is not implied that any part listed is the product of these manufacturers.