

UNIVERSAL DIPSTICK

141290

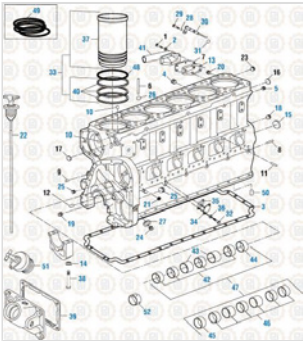


Description: UNIVERSAL DIPSTICK
SKU: 141290
OEM: 216484
Product Group: ENGINE PARTS
Product Class: ENGINE BLOCKS & BLOCK PARTS
 (EXCEPT LINERS)
UPC Code: 193807223717
Sell Pack: 1 EA
Weight: 0.35 LBS
Warranty: 2 Years

Details:

Universal Dipstick
 Cummins N14 Series application

E-Catalog Pages:

Catalog Page	Description
	<p> Cummins Engine 2017 Cylinder Block Components - Small Cam - Non-FFC and FFC, Big Cam - FFC, Including 88NT - 855 Series </p>

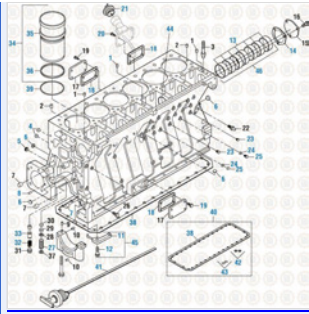
Copyright © 2020 PAI Industries, Inc.

All rights reserved. All content is property of PAI Industries, Inc, and may not be reproduced or redistributed in any form.

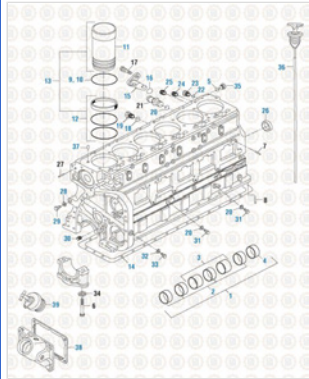
Any reference to OEM names or OEM product identification numbers/descriptions/model numbers is for identification only and does not indicate that it is an OEM part. PAI is not affiliated with Mack Truck, Inc.®, Volvo®, Fuller®, Cummins®, Eaton®, Rockwell®, Caterpillar®, Freightliner®, Hendrickson®, Kenworth®, Detroit Diesel®, International®, Peterbilt®, or Dana®. All Manufacturer's names, numbers, symbols and descriptions are used for reference only. It is not implied that any part listed is the product of these manufacturers.

UNIVERSAL DIPSTICK

141290



Cummins Engine 2017
Cylinder Block Components - L10 / M11 / ISM Series



Cummins Engine 2017
Cylinder Block Components - N14 Series



Cummins Engine 2017
Oil Caps and Dipstick - Miscellaneous

Cross Reference:

Manufacturer	OEM Number
CUMMINS	155015
CUMMINS	216484
CUMMINS	BM76411
MACK	4333-585074C1
NAVISTAR	585074
NAVISTAR	585074C1

Copyright © 2020 PAI Industries, Inc.
All rights reserved. All content is property of PAI Industries, Inc, and may not be reproduced or redistributed in any form.

Any reference to OEM names or OEM product identification numbers/descriptions/model numbers is for identification only and does not indicate that it is an OEM part. PAI is not affiliated with Mack Truck, Inc.®, Volvo®, Fuller®, Cummins®, Eaton®, Rockwell®, Caterpillar®, Freightliner®, Hendrickson®, Kenworth®, Detroit Diesel®, International®, Peterbilt®, or Dana®. All Manufacturer's names, numbers, symbols and descriptions are used for reference only. It is not implied that any part listed is the product of these manufacturers.