

# OIL PUMP ASSEMBLY

# 141294



<b>Description:</b>	OIL PUMP ASSEMBLY
<b>SKU:</b>	141294
<b>OEM:</b>	3803698
<b>Product Group:</b>	ENGINE PARTS
<b>Product Class:</b>	OIL PUMPS & RELATED PARTS
<b>UPC Code:</b>	193807223786
<b>Sell Pack:</b>	1 EA
<b>Weight:</b>	30.30 LBS
<b>Package Dimensions (LxWxH):</b>	9 x 7 x 11 inches
<b>Warranty:</b>	2 Years

Details:
Oil Pump Assembly with Spur Gear Celect Plus Engine Cummins N14 Series application

Substitute:				
SKU	Sell Pack	Weight	Warranty	Description
<a href="#">141294E</a>	1	31.45 LBS	1 Year	OIL PUMP ASSEMBLY

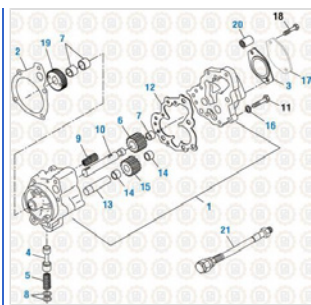
E-Catalog Pages:	
Catalog Page	Description

**Copyright © 2020 PAI Industries, Inc.**  
 All rights reserved. All content is property of PAI Industries, Inc, and may not be reproduced or redistributed in any form.

Any reference to OEM names or OEM product identification numbers/descriptions/model numbers is for identification only and does not indicate that it is an OEM part. PAI is not affiliated with Mack Truck, Inc.®, Volvo®, Fuller®, Cummins®, Eaton®, Rockwell®, Caterpillar®, Freightliner®, Hendrickson®, Kenworth®, Detroit Diesel®, International®, Peterbilt®, or Dana®. All Manufacturer's names, numbers, symbols and descriptions are used for reference only. It is not implied that any part listed is the product of these manufacturers.

# OIL PUMP ASSEMBLY

141294





**Cummins Engine 2017**  
Oil Pump Assembly - N14 Series



**Water Pump, Thermostats and Oil Pump 2017**  
N14 Series Series Oil Pumps - Oil Pumps

**Consists Of:**

SKU	OEM	Image	Description	Quantity
<a href="#">141294-100</a>	3609835		OIL PUMP	1
<a href="#">131361</a>	3067613		MOUNTING GASKET	1

**Cross Reference:**

Manufacturer	OEM Number
CUMMINS	3609832
CUMMINS	3803698
CUMMINS	3804633
CUMMINS	3865153
CUMMINS	3609828
CUMMINS	3074196

Copyright © 2020 PAI Industries, Inc.  
All rights reserved. All content is property of PAI Industries, Inc. and may not be reproduced or redistributed in any form.

Any reference to OEM names or OEM product identification numbers/descriptions/model numbers is for identification only and does not indicate that it is an OEM part. PAI is not affiliated with Mack Truck, Inc.®, Volvo®, Fuller®, Cummins®, Eaton®, Rockwell®, Caterpillar®, Freightliner®, Hendrickson®, Kenworth®, Detroit Diesel®, International®, Peterbilt®, or Dana®. All Manufacturer's names, numbers, symbols and descriptions are used for reference only. It is not implied that any part listed is the product of these manufacturers.