

# PLUNGER

# 141306



**Description:** PLUNGER  
**SKU:** 141306  
**OEM:** 3884126  
**Product Group:** ENGINE PARTS  
**Product Class:** OIL PUMPS & RELATED PARTS  
**UPC Code:** 193807224028  
**Sell Pack:** 1 EA  
**Weight:** 0.24 LBS  
**Warranty:** 2 Years

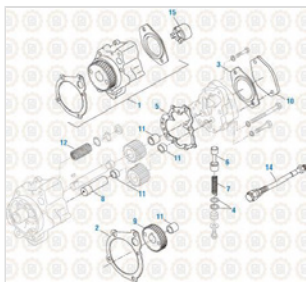


**Details:**

Oil Pump Relief Plunger  
 Cummins 855, N14 Application

**E-Catalog Pages:**

Catalog Page	Description
--------------	-------------



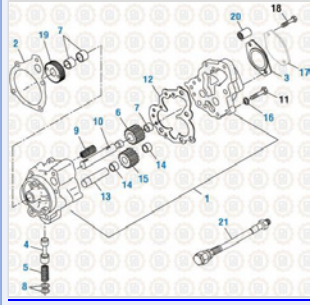
**Cummins Engine 2017**  
 Big Cam II, III and IV - FFC - 855 Series

Copyright © 2020 PAI Industries, Inc.  
 All rights reserved. All content is property of PAI Industries, Inc, and may not be reproduced or redistributed in any form.

Any reference to OEM names or OEM product identification numbers/descriptions/model numbers is for identification only and does not indicate that it is an OEM part. PAI is not affiliated with Mack Truck, Inc.®, Volvo®, Fuller®, Cummins®, Eaton®, Rockwell®, Caterpillar®, Freightliner®, Hendrickson®, Kenworth®, Detroit Diesel®, International®, Peterbilt®, or Dana®. All Manufacturer's names, numbers, symbols and descriptions are used for reference only. It is not implied that any part listed is the product of these manufacturers.

# PLUNGER

# 141306



**Cummins Engine 2017**  
Oil Pump Assembly - N14 Series

## Cross Reference:

Manufacturer	OEM Number
CUMMINS	3884126

### Copyright © 2020 PAI Industries, Inc.

All rights reserved. All content is property of PAI Industries, Inc, and may not be reproduced or redistributed in any form.

Any reference to OEM names or OEM product identification numbers/descriptions/model numbers is for identification only and does not indicate that it is an OEM part. PAI is not affiliated with Mack Truck, Inc.®, Volvo®, Fuller®, Cummins®, Eaton®, Rockwell®, Caterpillar®, Freightliner®, Hendrickson®, Kenworth®, Detroit Diesel®, International®, Peterbilt®, or Dana®. All Manufacturer's names, numbers, symbols and descriptions are used for reference only. It is not implied that any part listed is the product of these manufacturers.