

RELIEF PLUNGER SPRING

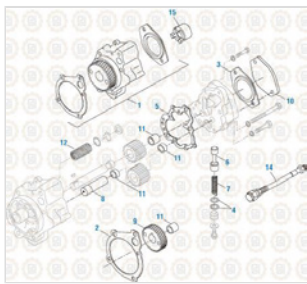
141332



Description: RELIEF PLUNGER SPRING
SKU: 141332
OEM: 3010146
Product Group: ENGINE PARTS
Product Class: OIL PUMPS & RELATED PARTS
UPC Code: 193807224714
Sell Pack: 6 EA
 (Available to buy in increments of 6)
Weight: 0.26 LBS
Warranty: 2 Years

Details:

Relief Plunger Spring
 Cummins L10 / M11 / ISM / N14 / 855 Series Application

E-Catalog Pages:**Catalog Page****Description**

Cummins Engine 2017
 Big Cam II, III and IV - FFC - 855 Series

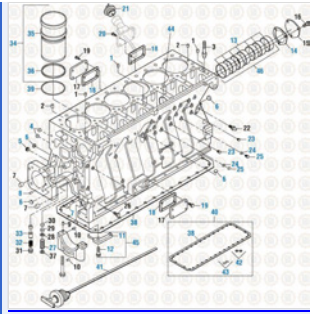
Copyright © 2020 PAI Industries, Inc.

All rights reserved. All content is property of PAI Industries, Inc. and may not be reproduced or redistributed in any form.

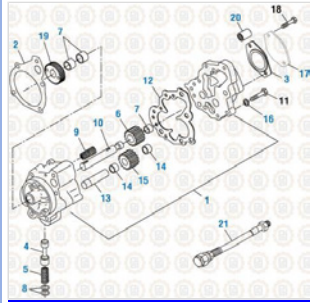
Any reference to OEM names or OEM product identification numbers/descriptions/model numbers is for identification only and does not indicate that it is an OEM part. PAI is not affiliated with Mack Truck, Inc.®, Volvo®, Fuller®, Cummins®, Eaton®, Rockwell®, Caterpillar®, Freightliner®, Hendrickson®, Kenworth®, Detroit Diesel®, International®, Peterbilt®, or Dana®. All Manufacturer's names, numbers, symbols and descriptions are used for reference only. It is not implied that any part listed is the product of these manufacturers.

RELIEF PLUNGER SPRING

141332



Cummins Engine 2017
Cylinder Block Components - L10 / M11 / ISM Series



Cummins Engine 2017
Oil Pump Assembly - N14 Series

Cross Reference:

Manufacturer	OEM Number
CUMMINS	3010146

Copyright © 2020 PAI Industries, Inc.

All rights reserved. All content is property of PAI Industries, Inc, and may not be reproduced or redistributed in any form.

Any reference to OEM names or OEM product identification numbers/descriptions/model numbers is for identification only and does not indicate that it is an OEM part. PAI is not affiliated with Mack Truck, Inc.®, Volvo®, Fuller®, Cummins®, Eaton®, Rockwell®, Caterpillar®, Freightliner®, Hendrickson®, Kenworth®, Detroit Diesel®, International®, Peterbilt®, or Dana®. All Manufacturer's names, numbers, symbols and descriptions are used for reference only. It is not implied that any part listed is the product of these manufacturers.