

OIL PAN

141344



Description:	OIL PAN
SKU:	141344
OEM:	2831341
Product Group:	ENGINE PARTS
Product Class:	OIL PANS & RELATED PARTS
UPC Code:	193807224998
Sell Pack:	1 EA
Weight:	15.30 LBS
Package Dimensions (LxWxH):	34 x 14 x 9 inches
Warranty:	2 Years



Details:
 This engine oil pan is made of steel, finished in black and fits Cummins ISB / QSB engines.

E-Catalog Pages:

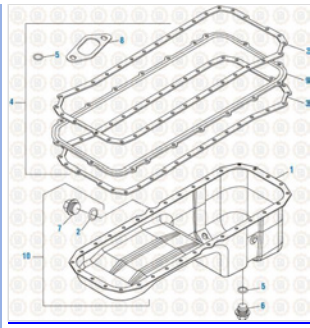
Catalog Page	Description

Copyright © 2020 PAI Industries, Inc.
 All rights reserved. All content is property of PAI Industries, Inc, and may not be reproduced or redistributed in any form.

Any reference to OEM names or OEM product identification numbers/descriptions/model numbers is for identification only and does not indicate that it is an OEM part. PAI is not affiliated with Mack Truck, Inc.®, Volvo®, Fuller®, Cummins®, Eaton®, Rockwell®, Caterpillar®, Freightliner®, Hendrickson®, Kenworth®, Detroit Diesel®, International®, Peterbilt®, or Dana®. All Manufacturer's names, numbers, symbols and descriptions are used for reference only. It is not implied that any part listed is the product of these manufacturers.

OIL PAN

141344



Cummins Engine 2017
Oil Pan - ISB / QSB Series

Consists Of:

SKU	OEM	Image	Description	Quantity
141343	2831343		OIL PAN	1
136104	3287561		SEAL	1
042026	3924148		OIL PAN DRAIN PLUG	1

Cross Reference:

Manufacturer	OEM Number
CUMMINS	2831341

Copyright © 2020 PAI Industries, Inc.
All rights reserved. All content is property of PAI Industries, Inc. and may not be reproduced or redistributed in any form.

Any reference to OEM names or OEM product identification numbers/descriptions/model numbers is for identification only and does not indicate that it is an OEM part. PAI is not affiliated with Mack Truck, Inc.®, Volvo®, Fuller®, Cummins®, Eaton®, Rockwell®, Caterpillar®, Freightliner®, Hendrickson®, Kenworth®, Detroit Diesel®, International®, Peterbilt®, or Dana®. All Manufacturer's names, numbers, symbols and descriptions are used for reference only. It is not implied that any part listed is the product of these manufacturers.