

PIN BUSHING

151512



Description: PIN BUSHING
SKU: 151512
OEM: 3064295
Product Group: ENGINE PARTS
Product Class: ENGINE BEARINGS (ALL)
UPC Code: 193807014612
Sell Pack: 1 EA
Weight: 0.56 LBS
Warranty: 2 Years



Details:

Pin Bushing
 Cummins N14 Series application

E-Catalog Pages:

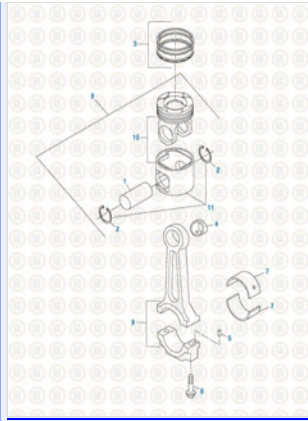
Catalog Page	Description
	<p>Cummins Engine 2017 One Piece Piston - N14 Series</p>

Copyright © 2020 PAI Industries, Inc.
 All rights reserved. All content is property of PAI Industries, Inc. and may not be reproduced or redistributed in any form.

Any reference to OEM names or OEM product identification numbers/descriptions/model numbers is for identification only and does not indicate that it is an OEM part. PAI is not affiliated with Mack Truck, Inc.®, Volvo®, Fuller®, Cummins®, Eaton®, Rockwell®, Caterpillar®, Freightliner®, Hendrickson®, Kenworth®, Detroit Diesel®, International®, Peterbilt®, or Dana®. All Manufacturer's names, numbers, symbols and descriptions are used for reference only. It is not implied that any part listed is the product of these manufacturers.

PIN BUSHING

151512



Cummins Engine 2017
Two Piece Piston - N14 Series

Cross Reference:

Manufacturer	OEM Number
CUMMINS	3064295

Copyright © 2020 PAI Industries, Inc.

All rights reserved. All content is property of PAI Industries, Inc, and may not be reproduced or redistributed in any form.

Any reference to OEM names or OEM product identification numbers/descriptions/model numbers is for identification only and does not indicate that it is an OEM part. PAI is not affiliated with Mack Truck, Inc.®, Volvo®, Fuller®, Cummins®, Eaton®, Rockwell®, Caterpillar®, Freightliner®, Hendrickson®, Kenworth®, Detroit Diesel®, International®, Peterbilt®, or Dana®. All Manufacturer's names, numbers, symbols and descriptions are used for reference only. It is not implied that any part listed is the product of these manufacturers.