

CAM BEARING

151528



Description: CAM BEARING
SKU: 151528
OEM: 3940059
Product Group: ENGINE PARTS
Product Class: ENGINE BEARINGS (ALL)
UPC Code: 193807014810
Sell Pack: 1 EA
Weight: 0.21 LBS
Warranty: 2 Years



Details:
 BEARING,Cam(Storm Block)

Substitute:

SKU	Sell Pack	Weight	Warranty	Description
151528HP	1	0.21 LBS	3 Years	HP CAM BEARING

E-Catalog Pages:

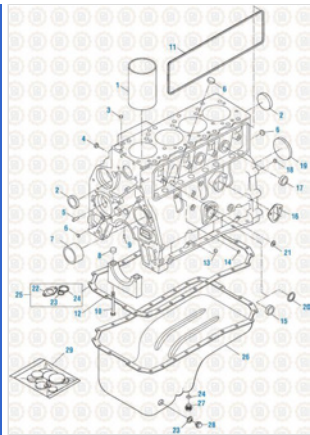
Catalog Page	Description

Copyright © 2020 PAI Industries, Inc.
 All rights reserved. All content is property of PAI Industries, Inc, and may not be reproduced or redistributed in any form.

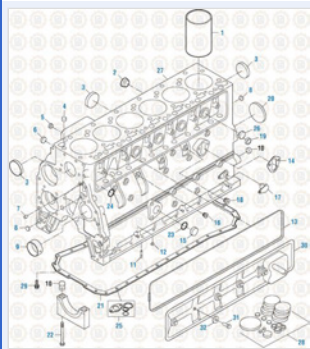
Any reference to OEM names or OEM product identification numbers/descriptions/model numbers is for identification only and does not indicate that it is an OEM part. PAI is not affiliated with Mack Truck, Inc.®, Volvo®, Fuller®, Cummins®, Eaton®, Rockwell®, Caterpillar®, Freightliner®, Hendrickson®, Kenworth®, Detroit Diesel®, International®, Peterbilt®, or Dana®. All Manufacturer's names, numbers, symbols and descriptions are used for reference only. It is not implied that any part listed is the product of these manufacturers.

CAM BEARING

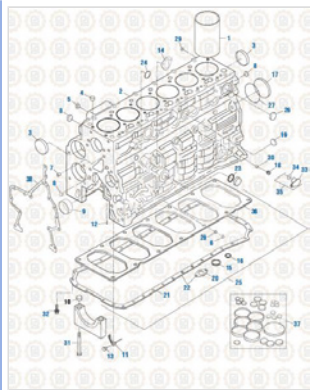
151528



Cummins Engine 2017
Cylinder Block - 4B Series



Cummins Engine 2017
Cylinder Block Components - 6B Series



Cummins Engine 2017
Cylinder Block Components - ISB / QSB Series

Cross Reference:

Manufacturer	OEM Number
CUMMINS	3940059
CUMMINS	4983253

Copyright © 2020 PAI Industries, Inc.

All rights reserved. All content is property of PAI Industries, Inc. and may not be reproduced or redistributed in any form.

Any reference to OEM names or OEM product identification numbers/descriptions/model numbers is for identification only and does not indicate that it is an OEM part. PAI is not affiliated with Mack Truck, Inc.®, Volvo®, Fuller®, Cummins®, Eaton®, Rockwell®, Caterpillar®, Freightliner®, Hendrickson®, Kenworth®, Detroit Diesel®, International®, Peterbilt®, or Dana®. All Manufacturer's names, numbers, symbols and descriptions are used for reference only. It is not implied that any part listed is the product of these manufacturers.