

# LINER KIT

# 161601



<b>Description:</b>	LINER KIT
<b>SKU:</b>	161601
<b>OEM:</b>	3801826
<b>Product Group:</b>	ENGINE PARTS
<b>Product Class:</b>	CYLINDER LINERS (SLEEVES)
<b>UPC Code:</b>	193807062279
<b>Sell Pack:</b>	1 EA
<b>Weight:</b>	17.90 LBS
<b>Package Dimensions (LxWxH):</b>	7 x 7 x 12 inches
<b>Warranty:</b>	2 Years

Details:
Liner Kit Standard Cummins N14 Series application

Substitute:				
SKU	Sell Pack	Weight	Warranty	Description
<a href="#">161601E</a>	1	18.25 LBS	1 Year	LINER KIT

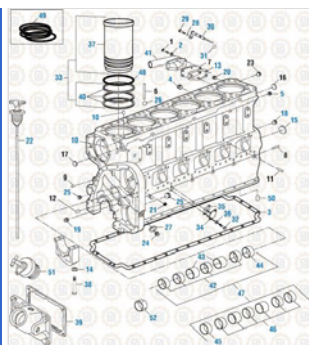
E-Catalog Pages:	
Catalog Page	Description

Copyright © 2020 PAI Industries, Inc.  
All rights reserved. All content is property of PAI Industries, Inc, and may not be reproduced or redistributed in any form.

Any reference to OEM names or OEM product identification numbers/descriptions/model numbers is for identification only and does not indicate that it is an OEM part. PAI is not affiliated with Mack Truck, Inc.®, Volvo®, Fuller®, Cummins®, Eaton®, Rockwell®, Caterpillar®, Freightliner®, Hendrickson®, Kenworth®, Detroit Diesel®, International®, Peterbilt®, or Dana®. All Manufacturer's names, numbers, symbols and descriptions are used for reference only. It is not implied that any part listed is the product of these manufacturers.

# LINER KIT

# 161601



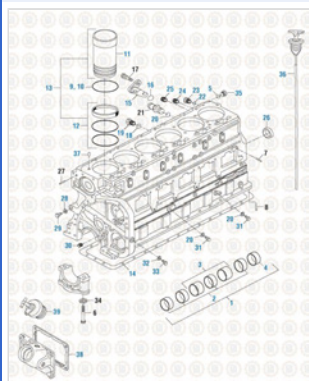
**Cummins Engine 2017**

Cylinder Block Components - Small Cam - Non-FFC and FFC, Big Cam - FFC, Including 88NT - 855 Series



**Cummins Engine 2017**

Inframe Kit Breakdowns - N14 Series



**Cummins Engine 2017**

Cylinder Block Components - N14 Series



**Cummins Engine 2017**

Pistonless Overhaul Kit Breakdown - N14 Series

**Consists Of:**

SKU	OEM	Image	Description	Quantity

Copyright © 2020 PAI Industries, Inc.




All rights reserved. All content is property of PAI Industries, Inc, and may not be reproduced or redistributed in any form.

Any reference to OEM names or OEM product identification numbers/descriptions/model numbers is for identification only and does not indicate that it is an OEM part. PAI is not affiliated with Mack Truck, Inc.®, Volvo®, Fuller®, Cummins®, Eaton®, Rockwell®, Caterpillar®, Freightliner®, Hendrickson®, Kenworth®, Detroit Diesel®, International®, Peterbilt®, or Dana®. All Manufacturer's names, numbers, symbols and descriptions are used for reference only. It is not implied that any part listed is the product of these manufacturers.

# LINER KIT

161601

<a href="#">161600</a>	3055099		CYLINDER LINER	1
<a href="#">121201</a>	AR51477		O-RING KIT	1







Component Of:		
SKU	Image	Description
<a href="#">100982HP</a>	.	HIGH PERFORMANCE CYLINDER KIT
<a href="#">100983HP</a>	.	HIGH PERFORMANCE CYLINDER KIT
<a href="#">100986</a>	.	CYLINDER KIT
<a href="#">100986HP</a>	.	HIGH PERFORMANCE CYLINDER KIT
<a href="#">101002HP</a>	.	HIGH PERFORMANCE CYLINDER KIT
<a href="#">101006HP</a>	.	HIGH PERFORMANCE CYLINDER KIT
<a href="#">101014HP</a>	.	HIGH PERFORMANCE CYLINDER KIT
<a href="#">101015HP</a>	.	HIGH PERFORMANCE CYLINDER KIT
<a href="#">101019</a>		CYLINDER KIT
<a href="#">101026</a>		CYLINDER KIT
<a href="#">101028</a>		CYLINDER KIT
<a href="#">101028HP</a>	.	HIGH PERFORMANCE CYLINDER KIT

Copyright © 2020 PAI Industries, Inc.  
 All rights reserved. All content is property of PAI Industries, Inc, and may not be reproduced or redistributed in any form.

Any reference to OEM names or OEM product identification numbers/descriptions/model numbers is for identification only and does not indicate that it is an OEM part. PAI is not affiliated with Mack Truck, Inc.®, Volvo®, Fuller®, Cummins®, Eaton®, Rockwell®, Caterpillar®, Freightliner®, Hendrickson®, Kenworth®, Detroit Diesel®, International®, Peterbilt®, or Dana®. All Manufacturer's names, numbers, symbols and descriptions are used for reference only. It is not implied that any part listed is the product of these manufacturers.

# LINER KIT

161601

<a href="#">101065</a>		CYLINDER KIT
<a href="#">101066</a>		CYLINDER KIT
<a href="#">101092</a>		CYLINDER KIT
<a href="#">101092HP</a>		HIGH PERFORMANCE CYLINDER KIT
<a href="#">101098</a>		CYLINDER KIT
<a href="#">101098HP</a>		HIGH PERFORMANCE CYLINDER KIT
<a href="#">101101</a>		CYLINDER KIT
<a href="#">101101HP</a>		HIGH PERFORMANCE CYLINDER KIT
<a href="#">101133</a>		CYLINDER KIT
<a href="#">101143</a>		CYLINDER KIT
<a href="#">101146</a>		CYLINDER KIT
<a href="#">101151</a>		CYLINDER KIT

Copyright © 2020 PAI Industries, Inc.  
 All rights reserved. All content is property of PAI Industries, Inc. and may not be reproduced or redistributed in any form.

Any reference to OEM names or OEM product identification numbers/descriptions/model numbers is for identification only and does not indicate that it is an OEM part. PAI is not affiliated with Mack Truck, Inc.®, Volvo®, Fuller®, Cummins®, Eaton®, Rockwell®, Caterpillar®, Freightliner®, Hendrickson®, Kenworth®, Detroit Diesel®, International®, Peterbilt®, or Dana®. All Manufacturer's names, numbers, symbols and descriptions are used for reference only. It is not implied that any part listed is the product of these manufacturers.

## LINER KIT

161601

[101159](#)

CYLINDER KIT

[101170](#)

CYLINDER KIT

[855008-017](#)

ENGINE KIT

[855008-022](#)

ENGINE KIT

[855011-017](#)

ENGINE KIT

[855048-017](#)

ENGINE KIT

[855048-018](#)

ENGINE KIT

[855048-022](#)

ENGINE KIT

[855050-001](#)

ENGINE KIT

[855056-017](#)

ENGINE KIT

[855059-022](#)

ENGINE KIT

[855062-001](#)

ENGINE KIT

[855075-001](#)

ENGINE KIT

[855077-001](#)

ENGINE KIT

[855077-017](#)

ENGINE KIT

[855078-022](#)

ENGINE KIT

[N14125-017](#)

ENGINE KIT

[N14125-049](#)

ENGINE KIT

[N14126-017](#)

ENGINE KIT

## Cross Reference:

Manufacturer	OEM Number
CUMMINS	3801826
CUMMINS	AR-09311
CUMMINS	AR09311
DANA CORPORATION/PRIVATE BRAND SALE	226-4414
CUMMINS	AR11317
CUMMINS	AR-11317
CUMMINS	3801748

Copyright © 2020 PAI Industries, Inc.

All rights reserved. All content is property of PAI Industries, Inc. and may not be reproduced or redistributed in any form.

Any reference to OEM names or OEM product identification numbers/descriptions/model numbers is for identification only and does not indicate that it is an OEM part. PAI is not affiliated with Mack Truck, Inc.®, Volvo®, Fuller®, Cummins®, Eaton®, Rockwell®, Caterpillar®, Freightliner®, Hendrickson®, Kenworth®, Detroit Diesel®, International®, Peterbilt®, or Dana®. All Manufacturer's names, numbers, symbols and descriptions are used for reference only. It is not implied that any part listed is the product of these manufacturers.