

ROD BEARING (STD)

171784



Description: ROD BEARING (STD)
SKU: 171784
OEM: 3055145
Product Group: ENGINE PARTS
Product Class: ENGINE BEARINGS (ALL)
UPC Code: 193807105082
Sell Pack: 2 EA
 (Available to buy in increments of 2)
Weight: 0.65 LBS
Warranty: 2 Years



Details:

Shell Bearing
 STD
 Cummins N14 Series application

Substitute:

SKU	Sell Pack	Weight	Warranty	Description
171784HP	2	0.65 LBS	3 Years	HIGH PERFORMANCE SHELL BEARING

E-Catalog Pages:

Catalog Page	Description
--------------	-------------

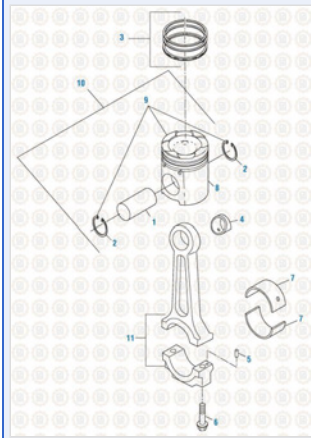
Copyright © 2020 PAI Industries, Inc.
 All rights reserved. All content is property of PAI Industries, Inc, and may not be reproduced or redistributed in any form.
 Any reference to OEM names or OEM product identification numbers/descriptions/model numbers is for identification only and does not indicate that it is an OEM part. PAI is not affiliated with Mack Truck, Inc.®, Volvo®, Fuller®, Cummins®, Eaton®, Rockwell®, Caterpillar®, Freightliner®, Hendrickson®, Kenworth®, Detroit Diesel®, International®, Peterbilt®, or Dana®. All Manufacturer's names, numbers, symbols and descriptions are used for reference only. It is not implied that any part listed is the product of these manufacturers.

ROD BEARING (STD)

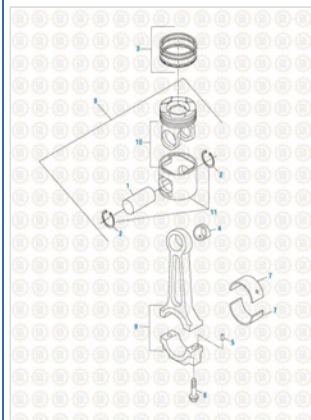
171784



Cummins Engine 2017
Inframe Kit Breakdowns - N14 Series



Cummins Engine 2017
One Piece Piston - N14 Series



Cummins Engine 2017
Two Piece Piston - N14 Series



Cummins Engine 2017
Pistonless Overhaul Kit Breakdown - N14 Series

Copyright © 2020 PAI Industries, Inc.
All rights reserved. All content is property of PAI Industries, Inc, and may not be reproduced or redistributed in any form.

Any reference to OEM names or OEM product identification numbers/descriptions/model numbers is for identification only and does not indicate that it is an OEM part. PAI is not affiliated with Mack Truck, Inc.®, Volvo®, Fuller®, Cummins®, Eaton®, Rockwell®, Caterpillar®, Freightliner®, Hendrickson®, Kenworth®, Detroit Diesel®, International®, Peterbilt®, or Dana®. All Manufacturer's names, numbers, symbols and descriptions are used for reference only. It is not implied that any part listed is the product of these manufacturers.

ROD BEARING (STD)

171784

Cross Reference:

Manufacturer	OEM Number
CUMMINS	3055145

Copyright © 2020 PAI Industries, Inc.

All rights reserved. All content is property of PAI Industries, Inc, and may not be reproduced or redistributed in any form.

Any reference to OEM names or OEM product identification numbers/descriptions/model numbers is for identification only and does not indicate that it is an OEM part. PAI is not affiliated with Mack Truck, Inc.®, Volvo®, Fuller®, Cummins®, Eaton®, Rockwell®, Caterpillar®, Freightliner®, Hendrickson®, Kenworth®, Detroit Diesel®, International®, Peterbilt®, or Dana®. All Manufacturer's names, numbers, symbols and descriptions are used for reference only. It is not implied that any part listed is the product of these manufacturers.