

# ROD BEARING KIT (STD)

171990



<b>Description:</b>	ROD BEARING KIT (STD)
<b>SKU:</b>	171990
<b>OEM:</b>	4089405
<b>Product Group:</b>	ENGINE PARTS
<b>Product Class:</b>	ENGINE BEARINGS (ALL)
<b>UPC Code:</b>	193807106430
<b>Sell Pack:</b>	1 EA
<b>Weight:</b>	0.62 LBS
<b>Package Dimensions (LxWxH):</b>	5 x 2 x 5 inches
<b>Warranty:</b>	2 Years



**Details:**

Standard Drilled Rod Bearing Kit  
Cummins Engine ISX application

**Substitute:**

SKU	Sell Pack	Weight	Warranty	Description
<a href="#">171990HP</a>	1	0.66 LBS	3 Years	HIGH PERFORMANCE STANDARD DRILLED ROD BEARING KIT

**E-Catalog Pages:**

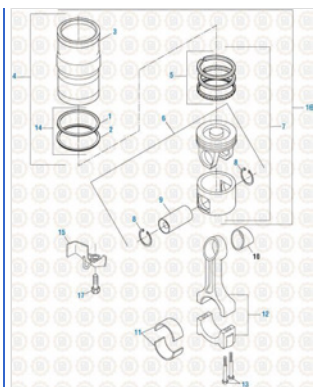
Catalog Page	Description

Copyright © 2020 PAI Industries, Inc.  
All rights reserved. All content is property of PAI Industries, Inc, and may not be reproduced or redistributed in any form.

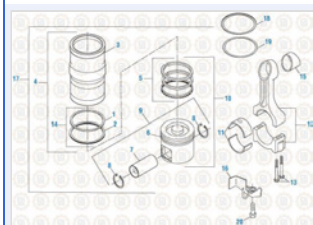
Any reference to OEM names or OEM product identification numbers/descriptions/model numbers is for identification only and does not indicate that it is an OEM part. PAI is not affiliated with Mack Truck, Inc.®, Volvo®, Fuller®, Cummins®, Eaton®, Rockwell®, Caterpillar®, Freightliner®, Hendrickson®, Kenworth®, Detroit Diesel®, International®, Peterbilt®, or Dana®. All Manufacturer's names, numbers, symbols and descriptions are used for reference only. It is not implied that any part listed is the product of these manufacturers.

# ROD BEARING KIT (STD)

171990




**Cummins Engine 2017**  
Two Piece Piston - ISX Series



**Cummins Engine 2017**  
One Piece Piston - ISX Series



**Cummins Engine 2017**  
Inframe Kits - ISX Series

Consists Of:				
SKU	OEM	Image	Description	Quantity
<a href="#">171991</a>	4925971	.	CONNECTING ROD BEARING	1
<a href="#">171972</a>	4925975		LOWER ROD BEARING	1

Component Of:			
SKU	Image	Description	
<a href="#">ISX102-017</a>	.	INFRAME ENGINE KIT	
<a href="#">ISX102-033</a>	.	INFRAME ENGINE KIT	
<a href="#">ISX103-017</a>	.	INFRAME ENGINE KIT	

Copyright © 2020 PAI Industries, Inc.  
All rights reserved. All content is property of PAI Industries, Inc, and may not be reproduced or redistributed in any form.

Any reference to OEM names or OEM product identification numbers/descriptions/model numbers is for identification only and does not indicate that it is an OEM part. PAI is not affiliated with Mack Truck, Inc.®, Volvo®, Fuller®, Cummins®, Eaton®, Rockwell®, Caterpillar®, Freightliner®, Hendrickson®, Kenworth®, Detroit Diesel®, International®, Peterbilt®, or Dana®. All Manufacturer's names, numbers, symbols and descriptions are used for reference only. It is not implied that any part listed is the product of these manufacturers.

## ROD BEARING KIT (STD)

171990

<a href="#">ISX103-018</a>	.	INFRAME ENGINE KIT
<a href="#">ISX103-033</a>	.	INFRAME ENGINE KIT
<a href="#">ISX105-017</a>	.	ENGINE KIT
<a href="#">ISX105-033</a>	.	ENGINE KIT
<a href="#">ISX105-049</a>	.	ENGINE KIT
<a href="#">ISX105-065</a>	.	ENGINE KIT
<a href="#">ISX105-081</a>	.	ENGINE KIT
<a href="#">ISX105-097</a>	.	ENGINE KIT
<a href="#">ISX105-145</a>	.	INFRAME ENGINE KIT
<a href="#">ISX106-017</a>	.	ENGINE KIT
<a href="#">ISX106-081</a>	.	INFRAME ENGINE KIT
<a href="#">ISX106-145</a>	.	ENGINE KIT
<a href="#">ISX107-017</a>	.	ENGINE KIT
<a href="#">ISX107-033</a>	.	ENGINE KIT
<a href="#">ISX107-049</a>	.	ENGINE KIT
<a href="#">ISX107-081</a>	.	ENGINE KIT
<a href="#">ISX107-129</a>	.	INFRAME ENGINE KIT
<a href="#">ISX108-017</a>	.	ENGINE KIT
<a href="#">ISX108-033</a>	.	ENGINE KIT
<a href="#">ISX108-081</a>	.	ENGINE KIT
<a href="#">ISX108-113</a>	.	ENGINE KIT
<a href="#">ISX110-017</a>	.	ENGINE KIT
<a href="#">ISX110-033</a>	.	ENGINE KIT
<a href="#">ISX110-049</a>	.	ENGINE KIT
<a href="#">ISX110-065</a>	.	INFRAME ENGINE KIT
<a href="#">ISX110-097</a>	.	ENGINE KIT
<a href="#">ISX111-017</a>	.	ENGINE KIT
<a href="#">ISX111-049</a>	.	INFRAME ENGINE KIT
<a href="#">ISX111-081</a>	.	ENGINE KIT
<a href="#">ISX111-113</a>	.	ENGINE KIT
<a href="#">ISX111-145</a>	.	INFRAME ENGINE KIT
<a href="#">ISX111-161</a>	.	INFRAME ENGINE KIT
<a href="#">ISX114-017</a>	.	ENGINE KIT
<a href="#">ISX116-033</a>	.	ENGINE KIT
<a href="#">ISX118-017</a>	.	ENGINE KIT
<a href="#">ISX119-017</a>	.	ENGINE KIT
<a href="#">ISX119-049</a>	.	ENGINE KIT
<a href="#">ISX119-081</a>	.	INFRAME ENGINE KIT
<a href="#">ISX119-113</a>	.	INFRAME ENGINE KIT

Copyright © 2020 PAI Industries, Inc.

All rights reserved. All content is property of PAI Industries, Inc. and may not be reproduced or redistributed in any form.

Any reference to OEM names or OEM product identification numbers/descriptions/model numbers is for identification only and does not indicate that it is an OEM part. PAI is not affiliated with Mack Truck, Inc.®, Volvo®, Fuller®, Cummins®, Eaton®, Rockwell®, Caterpillar®, Freightliner®, Hendrickson®, Kenworth®, Detroit Diesel®, International®, Peterbilt®, or Dana®. All Manufacturer's names, numbers, symbols and descriptions are used for reference only. It is not implied that any part listed is the product of these manufacturers.

# ROD BEARING KIT (STD)

# 171990

<a href="#">ISX121-049</a>	.	INFRAME ENGINE KIT
<a href="#">ISX140-049</a>	.	PISTONLESS ENGINE KIT
<a href="#">ISX140-065</a>	.	PISTONLESS ENGINE KIT
<a href="#">ISX141-017</a>	.	PISTONLESS ENGINE KIT
<a href="#">ISX141-018</a>	.	PISTONLESS ENGINE KIT
<a href="#">ISX141-033</a>	.	PISTONLESS ENGINE KIT
<a href="#">ISX141-049</a>	.	PISTONLESS ENGINE KIT
<a href="#">ISX141-065</a>	.	ENGINE KIT
<a href="#">ISX141-081</a>	.	ENGINE KIT
<a href="#">ISX141-097</a>	.	PISTONLESS ENGINE KIT
<a href="#">ISX141-289</a>	.	PISTONLESS ENGINE KIT
<a href="#">ISX605-017</a>	.	ENGINE KIT

## Cross Reference:

Manufacturer	OEM Number
CUMMINS	4089405

Copyright © 2020 PAI Industries, Inc.

All rights reserved. All content is property of PAI Industries, Inc, and may not be reproduced or redistributed in any form.

Any reference to OEM names or OEM product identification numbers/descriptions/model numbers is for identification only and does not indicate that it is an OEM part. PAI is not affiliated with Mack Truck, Inc.®, Volvo®, Fuller®, Cummins®, Eaton®, Rockwell®, Caterpillar®, Freightliner®, Hendrickson®, Kenworth®, Detroit Diesel®, International®, Peterbilt®, or Dana®. All Manufacturer's names, numbers, symbols and descriptions are used for reference only. It is not implied that any part listed is the product of these manufacturers.