

FUEL SHUTOFF SOLENOID

180198



Description:	FUEL SHUTOFF SOLENOID
SKU:	180198
OEM:	3931570
Product Group:	ENGINE PARTS
Product Class:	MISCELLANEOUS INJECTION PARTS
UPC Code:	193807145507
Sell Pack:	1 EA
Weight:	2.64 LBS
Package Dimensions (LxWxH):	8 x 5 x 3 inches
Warranty:	2 Years



Details:
Fuel Shutoff Solenoid 12 VDC Cummins 6B Series Engine Application

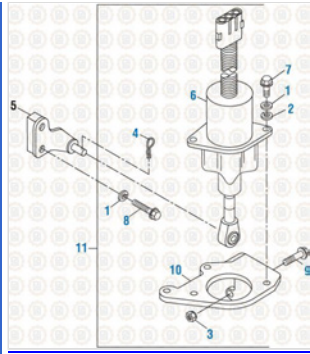
E-Catalog Pages:	
Catalog Page	Description

Copyright © 2020 PAI Industries, Inc.
All rights reserved. All content is property of PAI Industries, Inc, and may not be reproduced or redistributed in any form.

Any reference to OEM names or OEM product identification numbers/descriptions/model numbers is for identification only and does not indicate that it is an OEM part. PAI is not affiliated with Mack Truck, Inc.®, Volvo®, Fuller®, Cummins®, Eaton®, Rockwell®, Caterpillar®, Freightliner®, Hendrickson®, Kenworth®, Detroit Diesel®, International®, Peterbilt®, or Dana®. All Manufacturer's names, numbers, symbols and descriptions are used for reference only. It is not implied that any part listed is the product of these manufacturers.

FUEL SHUTOFF SOLENOID

180198



Cummins Engine 2017
Fuel Shutoff Solenoid - 6B Series



Cummins Engine 2017
Fuel Solenoids - Miscellaneous Components

Cross Reference:

Manufacturer	OEM Number
CUMMINS	3931557
CUMMINS	3931570
CUMMINS	3923201
CUMMINS	3934974

Copyright © 2020 PAI Industries, Inc.
All rights reserved. All content is property of PAI Industries, Inc, and may not be reproduced or redistributed in any form.

Any reference to OEM names or OEM product identification numbers/descriptions/model numbers is for identification only and does not indicate that it is an OEM part. PAI is not affiliated with Mack Truck, Inc.®, Volvo®, Fuller®, Cummins®, Eaton®, Rockwell®, Caterpillar®, Freightliner®, Hendrickson®, Kenworth®, Detroit Diesel®, International®, Peterbilt®, or Dana®. All Manufacturer's names, numbers, symbols and descriptions are used for reference only. It is not implied that any part listed is the product of these manufacturers.