

# SOLENOID, Fuel Shutoff(3in o/c mounting holes)

180215



<b>Description:</b>	SOLENOID, FUEL SHUTOFF(3IN O/C MOUNTING HOLES)
<b>SKU:</b>	180215
<b>OEM:</b>	3935649
<b>Product Group:</b>	ENGINE PARTS
<b>Product Class:</b>	MISCELLANEOUS INJECTION PARTS
<b>UPC Code:</b>	193807145699
<b>Sell Pack:</b>	1 EA
<b>Weight:</b>	2.80 LBS
<b>Package Dimensions (LxWxH):</b>	7 x 5 x 4 inches
<b>Warranty:</b>	2 Years



**Details:**

SOLENOID, Fuel Shutoff(3in o/c mounting holes)

**E-Catalog Pages:**

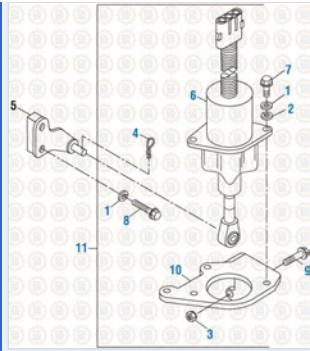
Catalog Page	Description
	<p><b>Cummins Engine 2017</b> Fuel Shutoff Solenoid - 6C / ISC / ISL Series</p>

Copyright © 2020 PAI Industries, Inc.  
All rights reserved. All content is property of PAI Industries, Inc, and may not be reproduced or redistributed in any form.

Any reference to OEM names or OEM product identification numbers/descriptions/model numbers is for identification only and does not indicate that it is an OEM part. PAI is not affiliated with Mack Truck, Inc.®, Volvo®, Fuller®, Cummins®, Eaton®, Rockwell®, Caterpillar®, Freightliner®, Hendrickson®, Kenworth®, Detroit Diesel®, International®, Peterbilt®, or Dana®. All Manufacturer's names, numbers, symbols and descriptions are used for reference only. It is not implied that any part listed is the product of these manufacturers.

# SOLENOID, Fuel Shutoff(3in o/c mounting holes)

180215



**Cummins Engine 2017**  
Fuel Shutoff Solenoid - 6B Series



**Cummins Engine 2017**  
Fuel Solenoids - Miscellaneous Components

**Component Of:**

SKU	Image	Description
<a href="#">180220</a>	.	SOLENOID ASSEMBLY

**Cross Reference:**

Manufacturer	OEM Number
CUMMINS	3935649
CUMMINS	4089576
CUMMINS	3919422
CUMMINS	3934171
CUMMINS	3927152

Copyright © 2020 PAI Industries, Inc.  
All rights reserved. All content is property of PAI Industries, Inc, and may not be reproduced or redistributed in any form.

Any reference to OEM names or OEM product identification numbers/descriptions/model numbers is for identification only and does not indicate that it is an OEM part. PAI is not affiliated with Mack Truck, Inc.®, Volvo®, Fuller®, Cummins®, Eaton®, Rockwell®, Caterpillar®, Freightliner®, Hendrickson®, Kenworth®, Detroit Diesel®, International®, Peterbilt®, or Dana®. All Manufacturer's names, numbers, symbols and descriptions are used for reference only. It is not implied that any part listed is the product of these manufacturers.