

ACCESSORY DRIVE

180905



Description:	ACCESSORY DRIVE
SKU:	180905
OEM:	3005133
Product Group:	ENGINE PARTS
Product Class:	CAM & AUX SHAFT; ACC. DRIVE
UPC Code:	193807149017
Sell Pack:	1 EA
Weight:	20.30 LBS
Package Dimensions (LxWxH):	9 x 7 x 11 inches
Warranty:	2 Years



Details:

Accessory Drive
 Small Shaft
 Cast Iron Housing
 Cummins Engine 855 application

E-Catalog Pages:

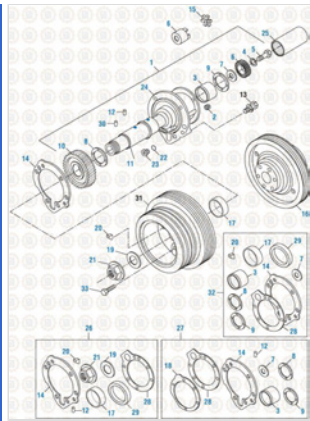
Catalog Page	Description

Copyright © 2020 PAI Industries, Inc.
 All rights reserved. All content is property of PAI Industries, Inc, and may not be reproduced or redistributed in any form.

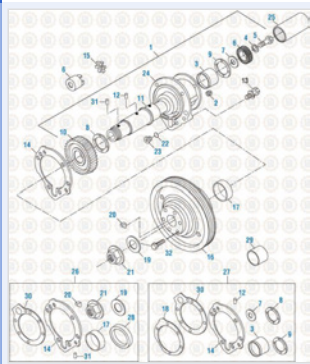
Any reference to OEM names or OEM product identification numbers/descriptions/model numbers is for identification only and does not indicate that it is an OEM part. PAI is not affiliated with Mack Truck, Inc.®, Volvo®, Fuller®, Cummins®, Eaton®, Rockwell®, Caterpillar®, Freightliner®, Hendrickson®, Kenworth®, Detroit Diesel®, International®, Peterbilt®, or Dana®. All Manufacturer's names, numbers, symbols and descriptions are used for reference only. It is not implied that any part listed is the product of these manufacturers.

ACCESSORY DRIVE

180905



Cummins Engine 2017
Accessory Drives - 855 Series



Cummins Engine 2017
Accessory Drives - Cast Iron Housing - N14 Series

Consists Of:

SKU	OEM	Image	Description	Quantity
180905-100	N/A		ACCESSORY DRIVE	1
045024	70550		PIN DOWEL	1
131366	3069101		MOUNTING GASKET	1

Cross Reference:

Manufacturer	OEM Number
CUMMINS	3005133

Copyright © 2020 PAI Industries, Inc.
All rights reserved. All content is property of PAI Industries, Inc. and may not be reproduced or redistributed in any form.

Any reference to OEM names or OEM product identification numbers/descriptions/model numbers is for identification only and does not indicate that it is an OEM part. PAI is not affiliated with Mack Truck, Inc.®, Volvo®, Fuller®, Cummins®, Eaton®, Rockwell®, Caterpillar®, Freightliner®, Hendrickson®, Kenworth®, Detroit Diesel®, International®, Peterbilt®, or Dana®. All Manufacturer's names, numbers, symbols and descriptions are used for reference only. It is not implied that any part listed is the product of these manufacturers.

ACCESSORY DRIVE

180905

CUMMINS	AR45669
CUMMINS	3050439
CUMMINS	3067988

Copyright © 2020 PAI Industries, Inc.

All rights reserved. All content is property of PAI Industries, Inc. and may not be reproduced or redistributed in any form.

Any reference to OEM names or OEM product identification numbers/descriptions/model numbers is for identification only and does not indicate that it is an OEM part. PAI is not affiliated with Mack Truck, Inc.®, Volvo®, Fuller®, Cummins®, Eaton®, Rockwell®, Caterpillar®, Freightliner®, Hendrickson®, Kenworth®, Detroit Diesel®, International®, Peterbilt®, or Dana®. All Manufacturer's names, numbers, symbols and descriptions are used for reference only. It is not implied that any part listed is the product of these manufacturers.