

COUPLING SPIDER

180929



Description: COUPLING SPIDER
SKU: 180929
OEM: 3046200
Product Group: ENGINE PARTS
Product Class: CAM & AUX SHAFT; ACC. DRIVE
UPC Code: 193807149291
Sell Pack: 5 EA
 (Available to buy in increments of 5)
Weight: 0.13 LBS
Warranty: 2 Years



Details:

Coupling Spider
 White
 2.125in O.D. x 0.875in I.D. x 0.42in Thick
 Cummins Engine 855/N14 Application

E-Catalog Pages:

Catalog Page	Description
	<p>Cummins Engine 2017 Accessory Drives - 855 Series</p>

Copyright © 2020 PAI Industries, Inc.
 All rights reserved. All content is property of PAI Industries, Inc, and may not be reproduced or redistributed in any form.

Any reference to OEM names or OEM product identification numbers/descriptions/model numbers is for identification only and does not indicate that it is an OEM part. PAI is not affiliated with Mack Truck, Inc.®, Volvo®, Fuller®, Cummins®, Eaton®, Rockwell®, Caterpillar®, Freightliner®, Hendrickson®, Kenworth®, Detroit Diesel®, International®, Peterbilt®, or Dana®. All Manufacturer's names, numbers, symbols and descriptions are used for reference only. It is not implied that any part listed is the product of these manufacturers.

COUPLING SPIDER

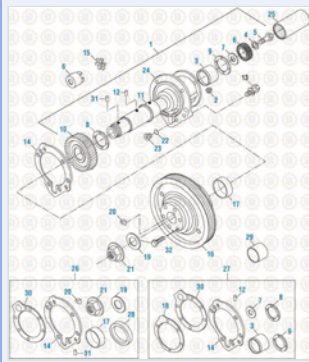
180929



Cummins Engine 2017
Fuel Miscellaneous - 855 Series



Cummins Engine 2017
Fuel Miscellaneous - N14 Series



Cummins Engine 2017
Accessory Drives - Cast Iron Housing - N14 Series

Cross Reference:

Manufacturer	OEM Number
CUMMINS	109859
CUMMINS	3046200
CUMMINS	44681-C

Copyright © 2020 PAI Industries, Inc.

All rights reserved. All content is property of PAI Industries, Inc. and may not be reproduced or redistributed in any form.

Any reference to OEM names or OEM product identification numbers/descriptions/model numbers is for identification only and does not indicate that it is an OEM part. PAI is not affiliated with Mack Truck, Inc.®, Volvo®, Fuller®, Cummins®, Eaton®, Rockwell®, Caterpillar®, Freightliner®, Hendrickson®, Kenworth®, Detroit Diesel®, International®, Peterbilt®, or Dana®. All Manufacturer's names, numbers, symbols and descriptions are used for reference only. It is not implied that any part listed is the product of these manufacturers.