

SYNCHRONIZER ASSEMBLY

GSA-2505



Description:	SYNCHRONIZER ASSEMBLY
SKU:	GSA-2505
OEM:	320KB3140C
Product Group:	TRANSMISSION
Product Class:	SYNCHRONIZERS & RELATED PARTS
UPC Code:	193807192105
Sell Pack:	1 EA
Weight:	23.45 LBS
Package Dimensions (LxWxH):	9 x 7 x 11 inches
Warranty:	2 Years



Details:	
Synchronizer Assembly	
Early	
Mack T2080 / T2090 / T2100 / T2130 / T2180 Transmission Application	

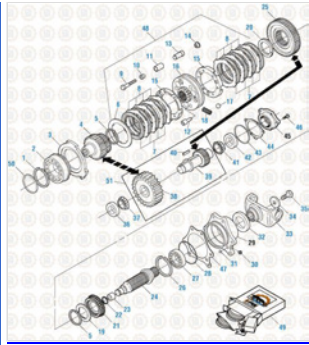
E-Catalog Pages:	
Catalog Page	Description

Copyright © 2020 PAI Industries, Inc.
 All rights reserved. All content is property of PAI Industries, Inc, and may not be reproduced or redistributed in any form.

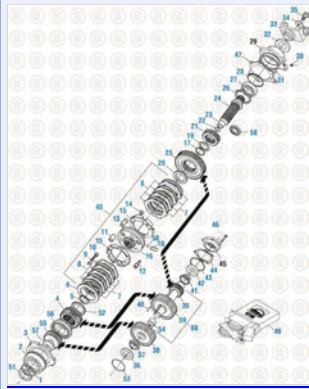
Any reference to OEM names or OEM product identification numbers/descriptions/model numbers is for identification only and does not indicate that it is an OEM part. PAI is not affiliated with Mack Truck, Inc.®, Volvo®, Fuller®, Cummins®, Eaton®, Rockwell®, Caterpillar®, Freightliner®, Hendrickson®, Kenworth®, Detroit Diesel®, International®, Peterbilt®, or Dana®. All Manufacturer's names, numbers, symbols and descriptions are used for reference only. It is not implied that any part listed is the product of these manufacturers.

SYNCHRONIZER ASSEMBLY

GSA-2505






Drive Train 2016
Rear Case Components - Original Design Synchronizer - T2080, T2090 and T2100



Drive Train 2016
Rear Case Components - T2130 and T2180

Consists Of:

SKU	OEM	Image	Description	Quantity
GSA-2505-100	N/A		SYNCHRONIZER ASSEMBLY	1
GSD-2525	495KB361		SYNCHRONIZER DISC	8
GSP-2514	351KC331B		PLATE	1
GSD-2526	495KB367		SYNCHRONIZER DISC	8

Copyright © 2020 PAI Industries, Inc.
All rights reserved. All content is property of PAI Industries, Inc. and may not be reproduced or redistributed in any form.

Any reference to OEM names or OEM product identification numbers/descriptions/model numbers is for identification only and does not indicate that it is an OEM part. PAI is not affiliated with Mack Truck, Inc.®, Volvo®, Fuller®, Cummins®, Eaton®, Rockwell®, Caterpillar®, Freightliner®, Hendrickson®, Kenworth®, Detroit Diesel®, International®, Peterbilt®, or Dana®. All Manufacturer's names, numbers, symbols and descriptions are used for reference only. It is not implied that any part listed is the product of these manufacturers.

SYNCHRONIZER ASSEMBLY

GSA-2505

[NOV1142](#)

CHRONIZER"THANKYOU"CARD

1

Cross Reference:**Manufacturer****OEM Number**

MACK

320KB3140C

Copyright © 2020 PAI Industries, Inc.

All rights reserved. All content is property of PAI Industries, Inc, and may not be reproduced or redistributed in any form.

Any reference to OEM names or OEM product identification numbers/descriptions/model numbers is for identification only and does not indicate that it is an OEM part. PAI is not affiliated with Mack Truck, Inc.®, Volvo®, Fuller®, Cummins®, Eaton®, Rockwell®, Caterpillar®, Freightliner®, Hendrickson®, Kenworth®, Detroit Diesel®, International®, Peterbilt®, or Dana®. All Manufacturer's names, numbers, symbols and descriptions are used for reference only. It is not implied that any part listed is the product of these manufacturers.