

PLATE

GSP-2514



Description: PLATE
SKU: GSP-2514
OEM: 351KC331B
Product Group: TRANSMISSION
Product Class: SYNCHRONIZERS & RELATED PARTS
UPC Code: 193807192273
Sell Pack: 1 EA
Weight: 1.70 LBS
Warranty: 2 Years



Details:

Synchronizer Plate
 Mack T2080B / T2130 / T2180 / T309L / T310/M / T313L / T318L Transmission application

E-Catalog Pages:

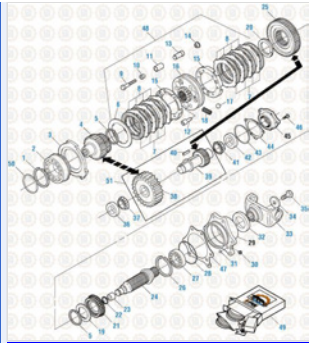
Catalog Page	Description
	<p>Drive Train 2016 Rear Case Components - T2080B</p>

Copyright © 2020 PAI Industries, Inc.
 All rights reserved. All content is property of PAI Industries, Inc. and may not be reproduced or redistributed in any form.

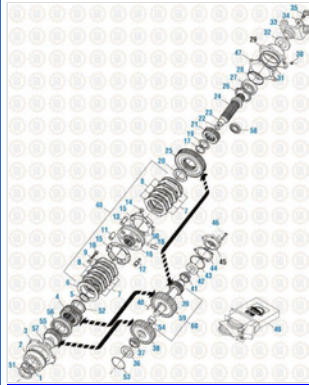
Any reference to OEM names or OEM product identification numbers/descriptions/model numbers is for identification only and does not indicate that it is an OEM part. PAI is not affiliated with Mack Truck, Inc.®, Volvo®, Fuller®, Cummins®, Eaton®, Rockwell®, Caterpillar®, Freightliner®, Hendrickson®, Kenworth®, Detroit Diesel®, International®, Peterbilt®, or Dana®. All Manufacturer's names, numbers, symbols and descriptions are used for reference only. It is not implied that any part listed is the product of these manufacturers.

PLATE

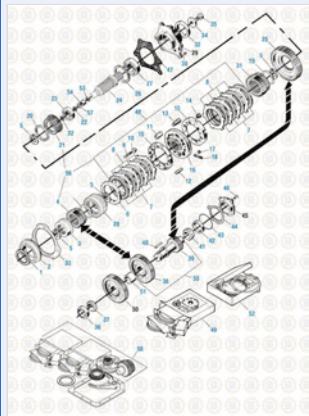
GSP-2514



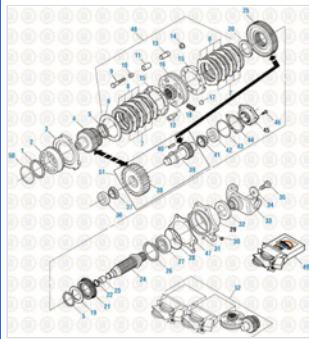
Drive Train 2016
Rear Case Components - Original Design Synchronizer - T2080, T2090 and T2100



Drive Train 2016
Rear Case Components - T2130 and T2180



Drive Train 2016
Rear Case Components - T309L and T310



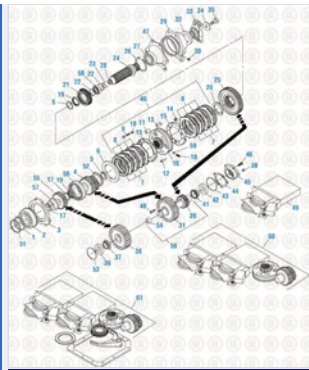
Drive Train 2016
Rear Case Components - Updated Design Synchronizer - T2080, T2090 and T2100

Copyright © 2020 PAI Industries, Inc.
All rights reserved. All content is property of PAI Industries, Inc. and may not be reproduced or redistributed in any form.

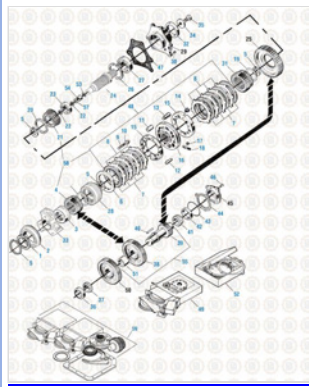
Any reference to OEM names or OEM product identification numbers/descriptions/model numbers is for identification only and does not indicate that it is an OEM part. PAI is not affiliated with Mack Truck, Inc.®, Volvo®, Fuller®, Cummins®, Eaton®, Rockwell®, Caterpillar®, Freightliner®, Hendrickson®, Kenworth®, Detroit Diesel®, International®, Peterbilt®, or Dana®. All Manufacturer's names, numbers, symbols and descriptions are used for reference only. It is not implied that any part listed is the product of these manufacturers.

PLATE




GSP-2514



Drive Train 2016
Rear Case Components - T313L and T318L



Drive Train 2016
Rear Case Components - T310M

Component Of:		
SKU	Image	Description
GSA-2505		SYNCHRONIZER ASSEMBLY
806803		SYNCHRONIZER REPAIR KIT
806804		SYNCHRONIZER REPAIR KIT

Copyright © 2020 PAI Industries, Inc.
All rights reserved. All content is property of PAI Industries, Inc. and may not be reproduced or redistributed in any form.

Any reference to OEM names or OEM product identification numbers/descriptions/model numbers is for identification only and does not indicate that it is an OEM part. PAI is not affiliated with Mack Truck, Inc.®, Volvo®, Fuller®, Cummins®, Eaton®, Rockwell®, Caterpillar®, Freightliner®, Hendrickson®, Kenworth®, Detroit Diesel®, International®, Peterbilt®, or Dana®. All Manufacturer's names, numbers, symbols and descriptions are used for reference only. It is not implied that any part listed is the product of these manufacturers.

PLATE

GSP-2514

Cross Reference:

Manufacturer	OEM Number
MACK	25094798
MACK	351KC331B

Copyright © 2020 PAI Industries, Inc.

All rights reserved. All content is property of PAI Industries, Inc, and may not be reproduced or redistributed in any form.

Any reference to OEM names or OEM product identification numbers/descriptions/model numbers is for identification only and does not indicate that it is an OEM part. PAI is not affiliated with Mack Truck, Inc.®, Volvo®, Fuller®, Cummins®, Eaton®, Rockwell®, Caterpillar®, Freightliner®, Hendrickson®, Kenworth®, Detroit Diesel®, International®, Peterbilt®, or Dana®. All Manufacturer's names, numbers, symbols and descriptions are used for reference only. It is not implied that any part listed is the product of these manufacturers.