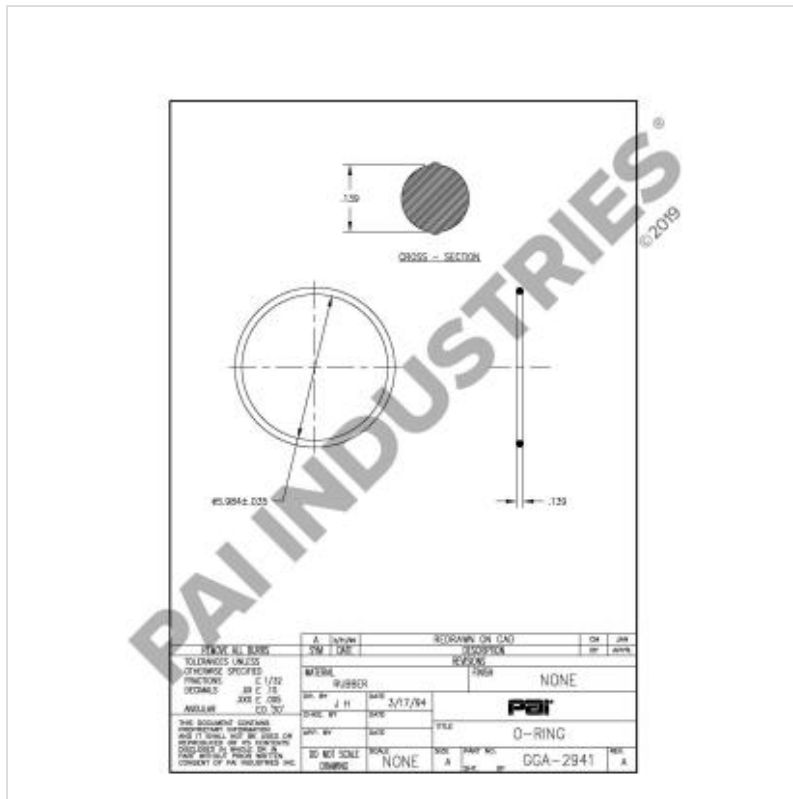


O-RING

GGA-2941



Description: O-RING
SKU: GGA-2941
OEM: 56AX347
Product Group: TRANSMISSION
Product Class: BEARINGS; BEARING, SEAL & GASKET KITS
UPC Code: 193807200121
Sell Pack: 5 EA
 (Available to buy in increments of 5)
Weight: 0.09 LBS
Warranty: 2 Years

Details:

O-Ring
 0.139in C/S x 5.984in I.D.
 3.53mm C/S x 151.99mm I.D.
 Polyacrylate
 70 Durometer
 Series # -258

E-Catalog Pages:

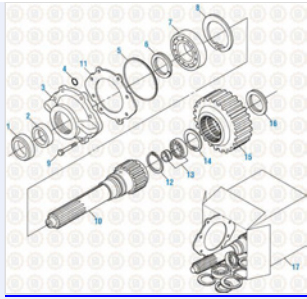
Catalog Page	Description
	<p>Drive Train 2016 Input Shaft Components - T2080B</p>

Copyright © 2020 PAI Industries, Inc.
 All rights reserved. All content is property of PAI Industries, Inc. and may not be reproduced or redistributed in any form.

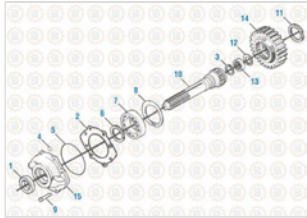
Any reference to OEM names or OEM product identification numbers/descriptions/model numbers is for identification only and does not indicate that it is an OEM part. PAI is not affiliated with Mack Truck, Inc.®, Volvo®, Fuller®, Cummins®, Eaton®, Rockwell®, Caterpillar®, Freightliner®, Hendrickson®, Kenworth®, Detroit Diesel®, International®, Peterbilt®, or Dana®. All Manufacturer's names, numbers, symbols and descriptions are used for reference only. It is not implied that any part listed is the product of these manufacturers.

O-RING

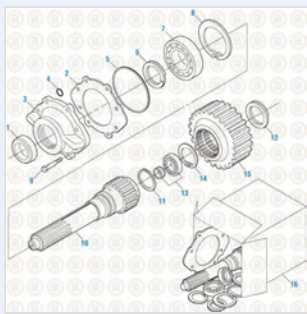
GGA-2941



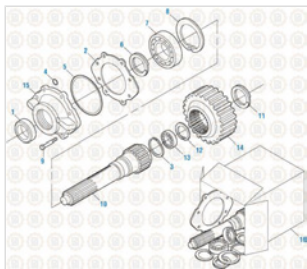
Drive Train 2016
Input Shaft - T2080, T2090 and T2100



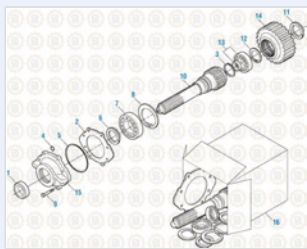
Drive Train 2016
Input Shaft Components - T2060A



Drive Train 2016
Input Shaft Components - T2110 B and D



Drive Train 2016
Input Shaft Components - T2050



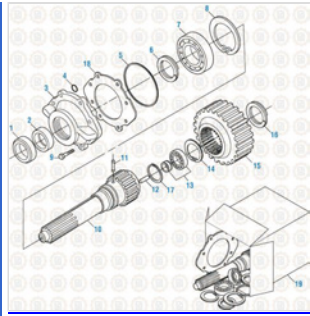
Drive Train 2016
Input Shaft Components - T2060 & T2070

Copyright © 2020 PAI Industries, Inc.
All rights reserved. All content is property of PAI Industries, Inc. and may not be reproduced or redistributed in any form.

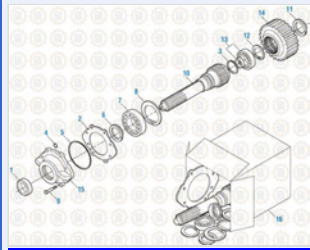
Any reference to OEM names or OEM product identification numbers/descriptions/model numbers is for identification only and does not indicate that it is an OEM part. PAI is not affiliated with Mack Truck, Inc.®, Volvo®, Fuller®, Cummins®, Eaton®, Rockwell®, Caterpillar®, Freightliner®, Hendrickson®, Kenworth®, Detroit Diesel®, International®, Peterbilt®, or Dana®. All Manufacturer's names, numbers, symbols and descriptions are used for reference only. It is not implied that any part listed is the product of these manufacturers.

O-RING

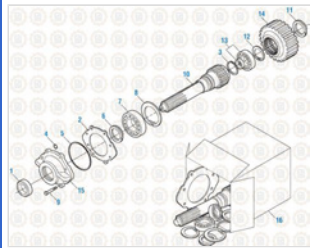
GGA-2941



Drive Train 2016
Input Shaft Components - T2130 and T2180

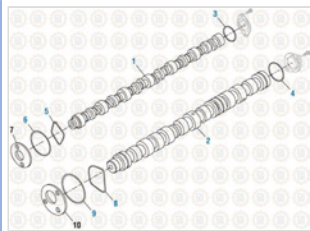


Drive Train 2016
Input Shaft Components - T2070 A & C



Drive Train 2016
Input Shaft Components - T2070 B & D

O-Rings
AS568A



Cummins Engine 2017
Camshaft - ISX Series

Component Of:

SKU	Image	Description
GGS-3972		TRANSMISSION GASKET KIT

Cross Reference:

Manufacturer	OEM Number
MACK	56AX347

Copyright © 2020 PAI Industries, Inc.
All rights reserved. All content is property of PAI Industries, Inc, and may not be reproduced or redistributed in any form.

Any reference to OEM names or OEM product identification numbers/descriptions/model numbers is for identification only and does not indicate that it is an OEM part. PAI is not affiliated with Mack Truck, Inc.®, Volvo®, Fuller®, Cummins®, Eaton®, Rockwell®, Caterpillar®, Freightliner®, Hendrickson®, Kenworth®, Detroit Diesel®, International®, Peterbilt®, or Dana®. All Manufacturer's names, numbers, symbols and descriptions are used for reference only. It is not implied that any part listed is the product of these manufacturers.