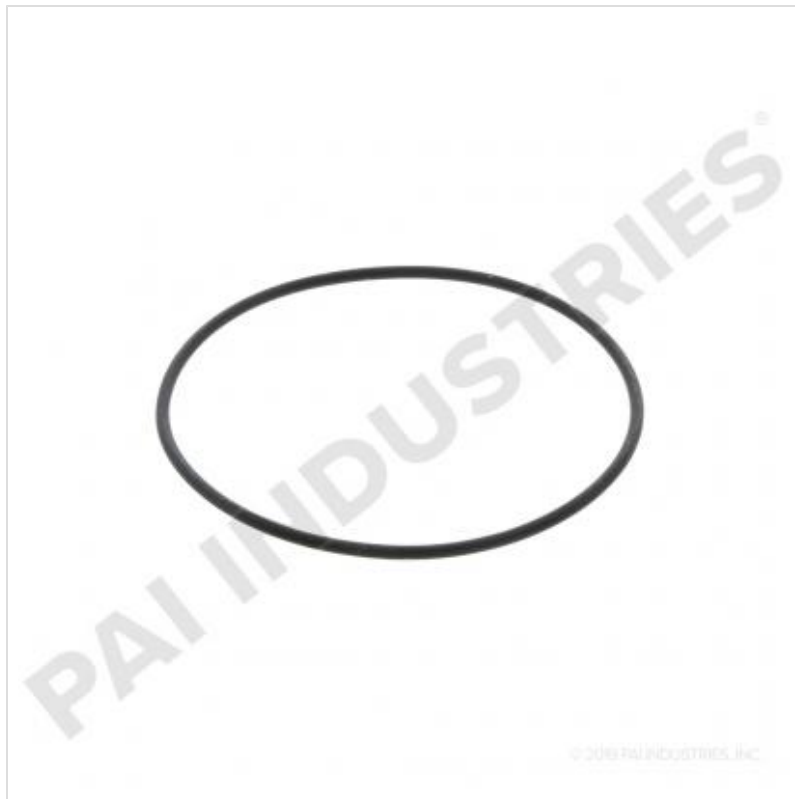


O-RING

GGA-2947



Description: O-RING
SKU: GGA-2947
OEM: 56AX534
Product Group: TRANSMISSION
Product Class: BEARINGS; BEARING, SEAL & GASKET KITS
UPC Code: 193807200244
Sell Pack: 10 EA
 (Available to buy in increments of 10)
Weight: 0.05 LBS
Warranty: 2 Years



Details:

O-Ring, 0.103 in C/S x 3.237 in ID
 2.62 mm C/S x 82.22 mm ID, Polyacrylate 70, Series # -152

E-Catalog Pages:

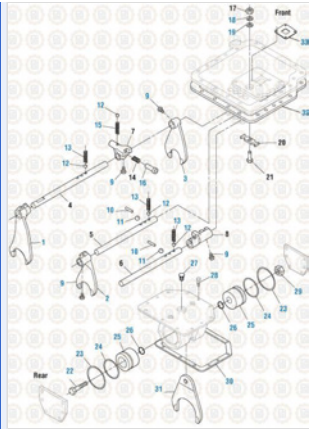
Catalog Page	Description
	<p>Drive Train 2016 Shifter Components - T2080, T2090 and T2100</p>

Copyright © 2020 PAI Industries, Inc.
 All rights reserved. All content is property of PAI Industries, Inc. and may not be reproduced or redistributed in any form.

Any reference to OEM names or OEM product identification numbers/descriptions/model numbers is for identification only and does not indicate that it is an OEM part. PAI is not affiliated with Mack Truck, Inc.®, Volvo®, Fuller®, Cummins®, Eaton®, Rockwell®, Caterpillar®, Freightliner®, Hendrickson®, Kenworth®, Detroit Diesel®, International®, Peterbilt®, or Dana®. All Manufacturer's names, numbers, symbols and descriptions are used for reference only. It is not implied that any part listed is the product of these manufacturers.

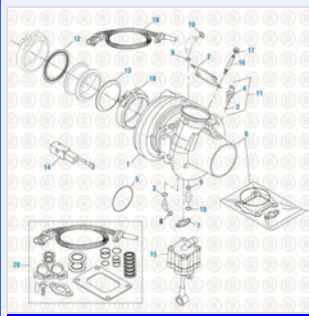
O-RING

GGA-2947





Drive Train 2016
Shifter Components - T2060 & T2070

O-Rings
AS568A



Cummins Engine 2017
Turbocharger - ISX Series

Component Of:

SKU	Image	Description
131638-152		TURBOCHARGER GASKET KIT
131743		UPPER GASKET KIT

Copyright © 2020 PAI Industries, Inc.
All rights reserved. All content is property of PAI Industries, Inc. and may not be reproduced or redistributed in any form.

Any reference to OEM names or OEM product identification numbers/descriptions/model numbers is for identification only and does not indicate that it is an OEM part. PAI is not affiliated with Mack Truck, Inc.®, Volvo®, Fuller®, Cummins®, Eaton®, Rockwell®, Caterpillar®, Freightliner®, Hendrickson®, Kenworth®, Detroit Diesel®, International®, Peterbilt®, or Dana®. All Manufacturer's names, numbers, symbols and descriptions are used for reference only. It is not implied that any part listed is the product of these manufacturers.

O-RING

GGA-2947

[131874](#)



UPPER GASKET KIT

[181202](#)

TURBOCHARGER

[GKT-3747](#)

O-RING KIT

[GKT-3748](#)



O-RING KIT

Cross Reference:

Manufacturer	OEM Number
MACK	25107486
CUMMINS	3682177
MACK	56AX504
MACK	56AX534
CATERPILLAR	5P3863
MACK	4103-5001850891

Copyright © 2020 PAI Industries, Inc.
 All rights reserved. All content is property of PAI Industries, Inc. and may not be reproduced or redistributed in any form.

Any reference to OEM names or OEM product identification numbers/descriptions/model numbers is for identification only and does not indicate that it is an OEM part. PAI is not affiliated with Mack Truck, Inc.®, Volvo®, Fuller®, Cummins®, Eaton®, Rockwell®, Caterpillar®, Freightliner®, Hendrickson®, Kenworth®, Detroit Diesel®, International®, Peterbilt®, or Dana®. All Manufacturer's names, numbers, symbols and descriptions are used for reference only. It is not implied that any part listed is the product of these manufacturers.