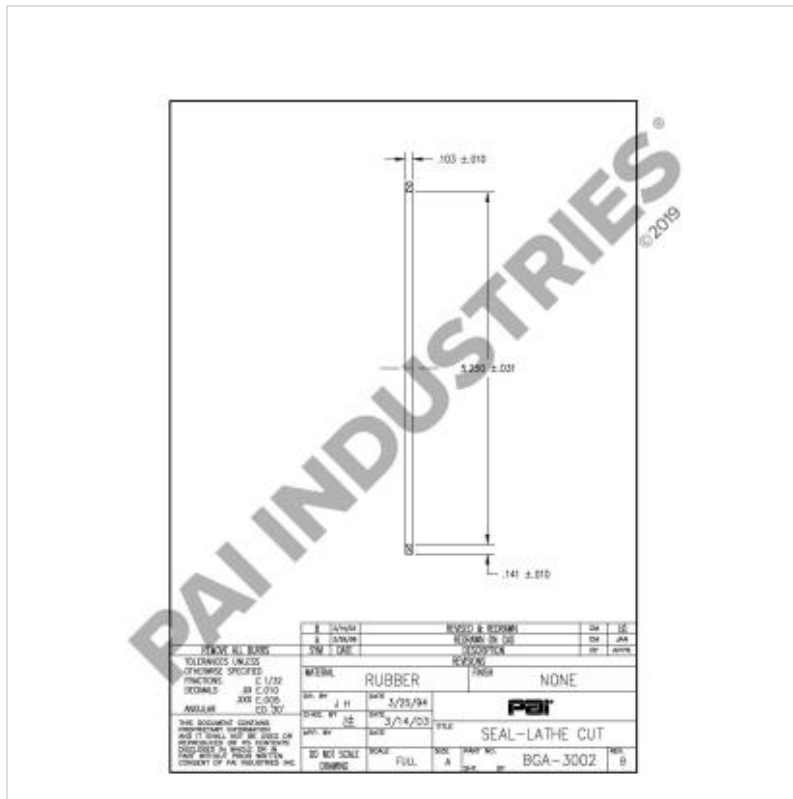


# RECTANGULAR SEALING RING

# BGA-3002



**Description:** RECTANGULAR SEALING RING  
**SKU:** BGA-3002  
**OEM:** 56AX450  
**Product Group:** DIFFERENTIAL  
**Product Class:** BEARING, SEAL & GASKET KITS  
**UPC Code:** 193807200879  
**Sell Pack:** 10 EA  
 (Available to buy in increments of 10)  
**Weight:** 0.13 LBS  
**Warranty:** 2 Years

**Details:**

Rectangular Sealing Ring  
 5.25in I.D. x 0.141in C/S x 0.103in Thick  
 133.35mm I.D. x 3.581mm C/S x 2.616mm Thick  
 Buna N  
 70 Durometer

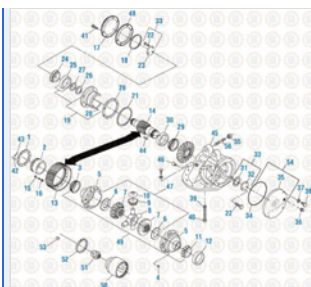
**E-Catalog Pages:**

Catalog Page	Description
	Drive Train 2016 CRDPC 92/112

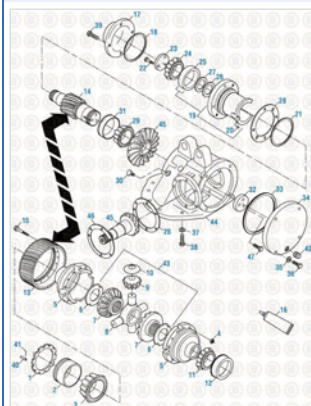
Copyright © 2020 PAI Industries, Inc.  
 All rights reserved. All content is property of PAI Industries, Inc. and may not be reproduced or redistributed in any form.  
 Any reference to OEM names or OEM product identification numbers/descriptions/model numbers is for identification only and does not indicate that it is an OEM part. PAI is not affiliated with Mack Truck, Inc., Volvo®, Fuller®, Cummins®, Eaton®, Rockwell®, Caterpillar®, Freightliner®, Hendrickson®, Kenworth®, Detroit Diesel®, International®, Peterbilt®, or Dana®. All Manufacturer's names, numbers, symbols and descriptions are used for reference only. It is not implied that any part listed is the product of these manufacturers.

# RECTANGULAR SEALING RING

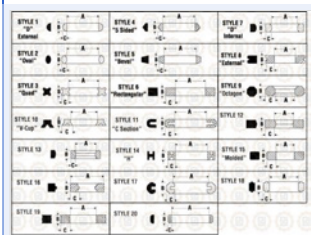
# BGA-3002



**Drive Train 2016**  
CRD 93/113



**Drive Train 2016**  
CRD 93A



**O-Rings**  
Rectangular Sealing Rings

Component Of:		
SKU	Image	Description
<a href="#">BBK-7121-200</a>	-	O-RING KIT
<a href="#">BBK-7125-200</a>	-	O-RING KIT
<a href="#">BBK-7141-200</a>	-	O-RING KIT

Cross Reference:	
Manufacturer	OEM Number
MACK	56AX450

Copyright © 2020 PAI Industries, Inc.  
All rights reserved. All content is property of PAI Industries, Inc. and may not be reproduced or redistributed in any form.

Any reference to OEM names or OEM product identification numbers/descriptions/model numbers is for identification only and does not indicate that it is an OEM part. PAI is not affiliated with Mack Truck, Inc.®, Volvo®, Fuller®, Cummins®, Eaton®, Rockwell®, Caterpillar®, Freightliner®, Hendrickson®, Kenworth®, Detroit Diesel®, International®, Peterbilt®, or Dana®. All Manufacturer's names, numbers, symbols and descriptions are used for reference only. It is not implied that any part listed is the product of these manufacturers.