

O-RING

321209



Description: O-RING
SKU: 321209
OEM: 1142687
Product Group: ENGINE PARTS
Product Class: ENGINE BLOCKS & BLOCK PARTS (EXCEPT LINERS)
UPC Code: 193807079840
Sell Pack: 5 EA
 (Available to buy in increments of 5)
Weight: 0.04 LBS
Warranty: 2 Years



Details:

O-Ring, 0.21 in C/S x 0.912 in ID
 5.33 mm C/S x 23.16 mm ID, HNBR 75, Orange Teflon Coat Series # -317

E-Catalog Pages:

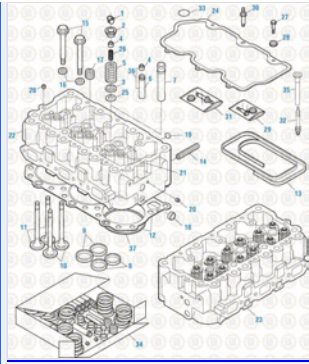
Catalog Page	Description
	<p>PAI Mack & Volvo Applications 2018 E-Tech, ASET - E7 Series</p>

Copyright © 2020 PAI Industries, Inc.
 All rights reserved. All content is property of PAI Industries, Inc, and may not be reproduced or redistributed in any form.

Any reference to OEM names or OEM product identification numbers/descriptions/model numbers is for identification only and does not indicate that it is an OEM part. PAI is not affiliated with Mack Truck, Inc.®, Volvo®, Fuller®, Cummins®, Eaton®, Rockwell®, Caterpillar®, Freightliner®, Hendrickson®, Kenworth®, Detroit Diesel®, International®, Peterbilt®, or Dana®. All Manufacturer's names, numbers, symbols and descriptions are used for reference only. It is not implied that any part listed is the product of these manufacturers.

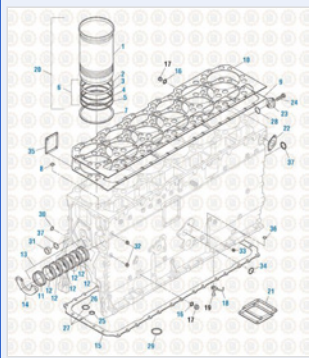
O-RING

321209

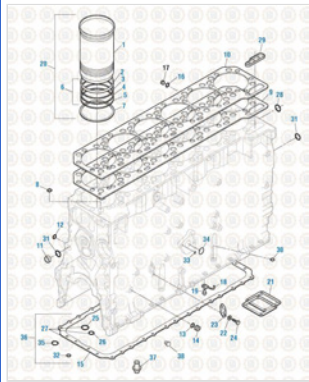


Volvo / Renault Engine Components 2015
Cylinder Head Assembly - E-Tech - Renault / E-Tech

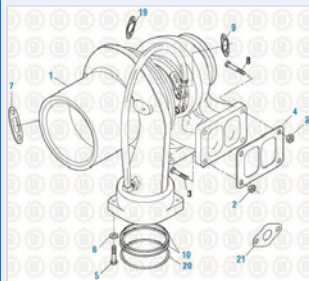
O-Rings
AS568A



Caterpillar Engine 2019
Cylinder Block - 3400 Series



Caterpillar Engine 2019
Cylinder Block - 3406E / C15 / C16 / C18 Series



Caterpillar Engine 2019
Turbocharger - 3300 Series

Copyright © 2020 PAI Industries, Inc.
All rights reserved. All content is property of PAI Industries, Inc. and may not be reproduced or redistributed in any form.

Any reference to OEM names or OEM product identification numbers/descriptions/model numbers is for identification only and does not indicate that it is an OEM part. PAI is not affiliated with Mack Truck, Inc.®, Volvo®, Fuller®, Cummins®, Eaton®, Rockwell®, Caterpillar®, Freightliner®, Hendrickson®, Kenworth®, Detroit Diesel®, International®, Peterbilt®, or Dana®. All Manufacturer's names, numbers, symbols and descriptions are used for reference only. It is not implied that any part listed is the product of these manufacturers.

O-RING

321209

Component Of:		
SKU	Image	Description
321306	.	O-RING KIT
331128	.	OVERHAUL GASKET KIT
331129	.	OVERHAUL GASKET KIT
331165-155	.	TURBOCHARGER GASKET KIT
331170	.	UPPER GASKET KIT
331190	.	UPPER GASKET AND SEALKIT
331191	.	UPPER GASKET AND SEALKIT
331192	.	UPPER GASKET AND SEALKIT
331194	.	UPPER GASKET KIT
331195	.	UPPER GASKET KIT
331196	.	UPPER GASKET KIT
331197	.	UPPER GASKET KIT
331199	.	UPPER GASKET KIT
331200	.	UPPER GASKET KIT
331201	.	UPPER GASKET KIT
331202	.	UPPER GASKET KIT
331203-157	.	GASKET KIT
331205	.	UPPER GASKET KIT
331206	.	UPPER GASKET KIT
331207	.	UPPER GASKET KIT
331220	.	ENGINE OVERHAUL GASKET KIT
331226	.	INFRAME ENGINE OVERHAUL GASKET KIT
331229	.	UPPER GASKET KIT
331230	.	UPPER GASKET KIT
331231	.	UPPER GASKET KIT
331233	.	UPPER GASKET KIT
331234-200		O-RING SUB KIT
331235	.	UPPER GASKET KIT
331237	.	UPPER GASKET KIT
331238	.	UPPER GASKET KIT
331239	.	UPPER GASKET KIT
331241-153	.	MOUNTING GASKET KIT






Copyright © 2020 PAI Industries, Inc.

All rights reserved. All content is property of PAI Industries, Inc. and may not be reproduced or redistributed in any form.

Any reference to OEM names or OEM product identification numbers/descriptions/model numbers is for identification only and does not indicate that it is an OEM part. PAI is not affiliated with Mack Truck, Inc.®, Volvo®, Fuller®, Cummins®, Eaton®, Rockwell®, Caterpillar®, Freightliner®, Hendrickson®, Kenworth®, Detroit Diesel®, International®, Peterbilt®, or Dana®. All Manufacturer's names, numbers, symbols and descriptions are used for reference only. It is not implied that any part listed is the product of these manufacturers.

O-RING

321209

331325		TURBOCHARGER INSTALLATION GASKET KIT
331328		UPPER GASKET KIT
331331-152		TURBO MOUNTING GASKET KIT
331333-152		TURBOCHARGER GASKET KIT
331385		LOWER GASKET KIT
331389		OIL COOLER GASKET KIT
331393		TURBOCHARGER MOUNTING GASKET
331410-152		TURBOCHARGER GASKET SET
331411-152		TURBO GASKET SET
331420		REAR GASKET KIT
331429		INSTALLATION GASKET KIT
331430		TURBOCHARGER MOUNTING GASKET KIT
331449		ENGINE OVERHAUL GASKET KIT


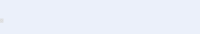


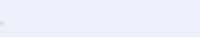


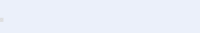
Copyright © 2020 PAI Industries, Inc.

All rights reserved. All content is property of PAI Industries, Inc. and may not be reproduced or redistributed in any form.

Any reference to OEM names or OEM product identification numbers/descriptions/model numbers is for identification only and does not indicate that it is an OEM part. PAI is not affiliated with Mack Truck, Inc.®, Volvo®, Fuller®, Cummins®, Eaton®, Rockwell®, Caterpillar®, Freightliner®, Hendrickson®, Kenworth®, Detroit Diesel®, International®, Peterbilt®, or Dana®. All Manufacturer's names, numbers, symbols and descriptions are used for reference only. It is not implied that any part listed is the product of these manufacturers.

O-RING

321209

331562		LOWER GASKET SET
331564		UPPER GASKET KIT
331566		LOWER GASKET KIT
331581		UPPER GASKET SET
331583		TURBOCHARGER INSTALLATION KIT
331659		OIL COOLER GASKET KIT
331668		GASKET KIT
381192		TURBOCHARGER
381804		WATER PUMP ASSEMBLY
381810		WATER PUMP ASSEMBLY
381811		WATER PUMP ASSEMBLY
381818		WATER PUMP ASSEMBLY

Copyright © 2020 PAI Industries, Inc.
 All rights reserved. All content is property of PAI Industries, Inc. and may not be reproduced or redistributed in any form.

Any reference to OEM names or OEM product identification numbers/descriptions/model numbers is for identification only and does not indicate that it is an OEM part. PAI is not affiliated with Mack Truck, Inc.®, Volvo®, Fuller®, Cummins®, Eaton®, Rockwell®, Caterpillar®, Freightliner®, Hendrickson®, Kenworth®, Detroit Diesel®, International®, Peterbilt®, or Dana®. All Manufacturer's names, numbers, symbols and descriptions are used for reference only. It is not implied that any part listed is the product of these manufacturers.

O-RING

321209

Cross Reference:

Manufacturer	OEM Number
CATERPILLAR	114-2687
CATERPILLAR	1142687
CATERPILLAR	8T7136
CATERPILLAR	9M4849
MACK	25623870
MACK	446GC2120

Copyright © 2020 PAI Industries, Inc.

All rights reserved. All content is property of PAI Industries, Inc. and may not be reproduced or redistributed in any form.

Any reference to OEM names or OEM product identification numbers/descriptions/model numbers is for identification only and does not indicate that it is an OEM part. PAI is not affiliated with Mack Truck, Inc.®, Volvo®, Fuller®, Cummins®, Eaton®, Rockwell®, Caterpillar®, Freightliner®, Hendrickson®, Kenworth®, Detroit Diesel®, International®, Peterbilt®, or Dana®. All Manufacturer's names, numbers, symbols and descriptions are used for reference only. It is not implied that any part listed is the product of these manufacturers.