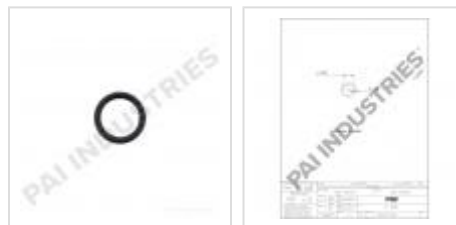


O-RING

321222



Description: O-RING
SKU: 321222
OEM: 1171385
Product Group: ENGINE PARTS
Product Class: MISCELLANEOUS INJECTION PARTS
UPC Code: 193807079987
Sell Pack: 6 EA
 (Available to buy in increments of 6)
Weight: 0.01 LBS
Warranty: 2 Years



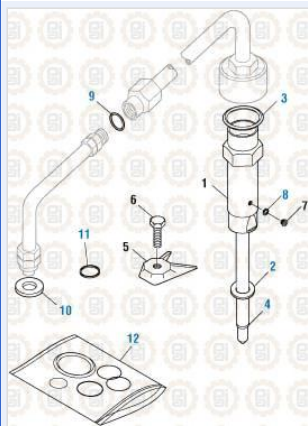
Details:

O-Ring, 0.103 in C/S x 0.549 in ID
 2.62 mm C/S x 13.94 mm ID, Buna N 75, Hydrogenated Series # -113

E-Catalog Pages:

Catalog Page	Description
--------------	-------------

O-Rings
 AS568A



Caterpillar Engine 2019
 Fuel Injection Components - 3400 Series



Copyright © 2020 PAI Industries, Inc.
 All rights reserved. All content is property of PAI Industries, Inc. and may not be reproduced or redistributed in any form.

Any reference to OEM names or OEM product identification numbers/descriptions/model numbers is for identification only and does not indicate that it is an OEM part. PAI is not affiliated with Mack Truck, Inc.®, Volvo®, Fuller®, Cummins®, Eaton®, Rockwell®, Caterpillar®, Freightliner®, Hendrickson®, Kenworth®, Detroit Diesel®, International®, Peterbilt®, or Dana®. All Manufacturer's names, numbers, symbols and descriptions are used for reference only. It is not implied that any part listed is the product of these manufacturers.

O-RING

321222

Component Of:

SKU	Image	Description
331122	.	OVERHAUL GASKET KIT
331123	.	OVERHAUL GASKET KIT
331144	.	OVERHAUL GASKET KIT
331170	.	UPPER GASKET KIT
331220	.	ENGINE OVERHAUL GASKET KIT
331226	.	INFRAME ENGINE OVERHAUL GASKET KIT
331229	.	UPPER GASKET KIT
331230	.	UPPER GASKET KIT
331231	.	UPPER GASKET KIT
331232	.	UPPER GASKET KIT
331233	.	UPPER GASKET KIT
331234-200		O-RING SUB KIT
331235	.	UPPER GASKET KIT
331237	.	UPPER GASKET KIT
331238	.	UPPER GASKET KIT
331239	.	UPPER GASKET KIT
331240	.	UPPER GASKET KIT
331361	.	FRONT COVER GASKET KIT
331375	.	FRONT COVER GASKET KIT
331495		FRONT COVER GASKET KIT
331515	.	FRONT COVER GASKET KIT
331565	.	FRONT COVER GASKET KIT
331659	.	OIL COOLER GASKET KIT
131754	.	UPPER GASKET KIT
131798	.	LOWER GASKET KIT
131799	.	LOWER GASKET KIT

Copyright © 2020 PAI Industries, Inc.

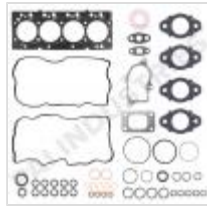
All rights reserved. All content is property of PAI Industries, Inc, and may not be reproduced or redistributed in any form.

Any reference to OEM names or OEM product identification numbers/descriptions/model numbers is for identification only and does not indicate that it is an OEM part. PAI is not affiliated with Mack Truck, Inc.®, Volvo®, Fuller®, Cummins®, Eaton®, Rockwell®, Caterpillar®, Freightliner®, Hendrickson®, Kenworth®, Detroit Diesel®, International®, Peterbilt®, or Dana®. All Manufacturer's names, numbers, symbols and descriptions are used for reference only. It is not implied that any part listed is the product of these manufacturers.

O-RING

321222

[131824](#)



UPPER GASKET KIT

[131830](#)



LOWER GASKET SET

[131863](#)

UPPER GASKET KIT

[131864](#)

LOWER GASKET KIT

[131867](#)

UPPER GASKET KIT

Cross Reference:

Manufacturer	OEM Number
CATERPILLAR	117-1385
CATERPILLAR	1171385
CATERPILLAR	132-2072
CATERPILLAR	1322072
CATERPILLAR	203-3940
CATERPILLAR	2033940
CATERPILLAR	8M4437
CUMMINS	4898372

Copyright © 2020 PAI Industries, Inc.
 All rights reserved. All content is property of PAI Industries, Inc. and may not be reproduced or redistributed in any form.

Any reference to OEM names or OEM product identification numbers/descriptions/model numbers is for identification only and does not indicate that it is an OEM part. PAI is not affiliated with Mack Truck, Inc.®, Volvo®, Fuller®, Cummins®, Eaton®, Rockwell®, Caterpillar®, Freightliner®, Hendrickson®, Kenworth®, Detroit Diesel®, International®, Peterbilt®, or Dana®. All Manufacturer's names, numbers, symbols and descriptions are used for reference only. It is not implied that any part listed is the product of these manufacturers.