

O-RING

321255



Description: O-RING
SKU: 321255
OEM: 3P1156
Product Group: ENGINE PARTS
Product Class: ENGINE BLOCKS & BLOCK PARTS (EXCEPT LINERS)
UPC Code: 193807080341
Sell Pack: 5 EA
 (Available to buy in increments of 5)
Weight: 0.02 LBS
Warranty: 2 Years



Details:

O-Ring, 0.139 in C/S x 0.859 in ID
 3.53 mm C/S x 21.82 mm ID, Viton 75, Series # -212

Substitute:

SKU	Sell Pack	Weight	Warranty	Description
621212	5	0.02 LBS	2 Years	O-RING

E-Catalog Pages:

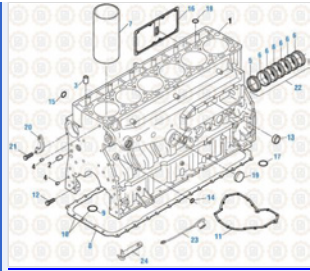
Catalog Page	Description
	O-Rings AS568A

Copyright © 2020 PAI Industries, Inc.
 All rights reserved. All content is property of PAI Industries, Inc, and may not be reproduced or redistributed in any form.

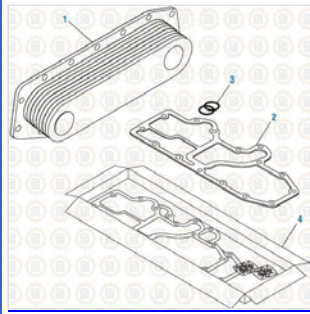
Any reference to OEM names or OEM product identification numbers/descriptions/model numbers is for identification only and does not indicate that it is an OEM part. PAI is not affiliated with Mack Truck, Inc.®, Volvo®, Fuller®, Cummins®, Eaton®, Rockwell®, Caterpillar®, Freightliner®, Hendrickson®, Kenworth®, Detroit Diesel®, International®, Peterbilt®, or Dana®. All Manufacturer's names, numbers, symbols and descriptions are used for reference only. It is not implied that any part listed is the product of these manufacturers.

O-RING

321255



Caterpillar Engine 2019
Cylinder Block - 3100 / C7 Series



Caterpillar Engine 2019
Oil Cooler - 3100 / C7 Series

Component Of:		
SKU	Image	Description
331144		OVERHAUL GASKET KIT
331587		OIL COOLER GASKET KIT
331638		CENTRAL/LOWER GASKET SET
331670		OIL COOLER GASKET SET

Cross Reference:	
Manufacturer	OEM Number
CATERPILLAR	3P1156
CATERPILLAR	8T9430
FULLER	15093
MACK	3088-15093

Copyright © 2020 PAI Industries, Inc.
All rights reserved. All content is property of PAI Industries, Inc, and may not be reproduced or redistributed in any form.

Any reference to OEM names or OEM product identification numbers/descriptions/model numbers is for identification only and does not indicate that it is an OEM part. PAI is not affiliated with Mack Truck, Inc.®, Volvo®, Fuller®, Cummins®, Eaton®, Rockwell®, Caterpillar®, Freightliner®, Hendrickson®, Kenworth®, Detroit Diesel®, International®, Peterbilt®, or Dana®. All Manufacturer's names, numbers, symbols and descriptions are used for reference only. It is not implied that any part listed is the product of these manufacturers.