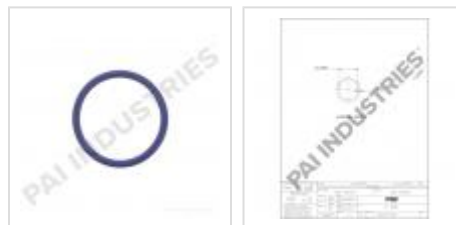


O-RING

321292



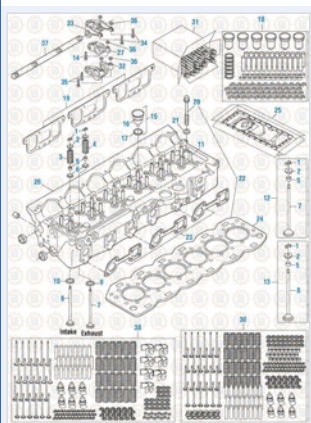
Description: O-RING
SKU: 321292
OEM: 1148718
Product Group: ENGINE PARTS
Product Class: MISCELLANEOUS INJECTION PARTS
UPC Code: 193807080808
Sell Pack: 6 EA
 (Available to buy in increments of 6)
Weight: 0.02 LBS
Warranty: 2 Years



Details:

O-Ring, 0.103 in C/S x 1.049 in ID
 2.62 mm C/S x 26.64 mm ID, Viton 90, Series # -121

E-Catalog Pages:

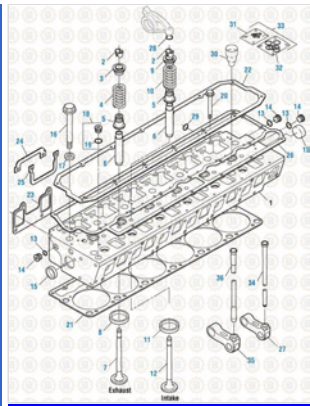
Catalog Page	Description
	<p>O-Rings AS568A</p> <p>Detroit Diesel Engine 2019 Cylinder Head and Valve Mechanism - Series 60</p>

Copyright © 2020 PAI Industries, Inc.
 All rights reserved. All content is property of PAI Industries, Inc, and may not be reproduced or redistributed in any form.

Any reference to OEM names or OEM product identification numbers/descriptions/model numbers is for identification only and does not indicate that it is an OEM part. PAI is not affiliated with Mack Truck, Inc.®, Volvo®, Fuller®, Cummins®, Eaton®, Rockwell®, Caterpillar®, Freightliner®, Hendrickson®, Kenworth®, Detroit Diesel®, International®, Peterbilt®, or Dana®. All Manufacturer's names, numbers, symbols and descriptions are used for reference only. It is not implied that any part listed is the product of these manufacturers.



O-RING

321292



Caterpillar Engine 2019
Cylinder Head - 3116 / 3126 - 3100 / C7 Series

Component Of:

SKU	Image	Description
321333		O-RING KIT
331220		ENGINE OVERHAUL GASKET KIT
692083		INJECTOR TUBE KIT

Cross Reference:

Manufacturer	OEM Number
CATERPILLAR	114-8718
CATERPILLAR	1148718
DETROIT DIESEL	23533147

Copyright © 2020 PAI Industries, Inc.
All rights reserved. All content is property of PAI Industries, Inc, and may not be reproduced or redistributed in any form.

Any reference to OEM names or OEM product identification numbers/descriptions/model numbers is for identification only and does not indicate that it is an OEM part. PAI is not affiliated with Mack Truck, Inc.®, Volvo®, Fuller®, Cummins®, Eaton®, Rockwell®, Caterpillar®, Freightliner®, Hendrickson®, Kenworth®, Detroit Diesel®, International®, Peterbilt®, or Dana®. All Manufacturer's names, numbers, symbols and descriptions are used for reference only. It is not implied that any part listed is the product of these manufacturers.