

O-RING

321300



Description: O-RING
SKU: 321300
OEM: 1367227
Product Group: ENGINE PARTS
Product Class: ENGINE BLOCKS & BLOCK PARTS (EXCEPT LINERS)
UPC Code: 193807080914
Sell Pack: 5 EA
 (Available to buy in increments of 5)
Weight: 0.01 LBS
Warranty: 2 Years



Details:
 O-Ring, 0.097 in x 0.755 in
 2.46 mm x 19.18 mm
 Viton (75)
 Series # 3-910

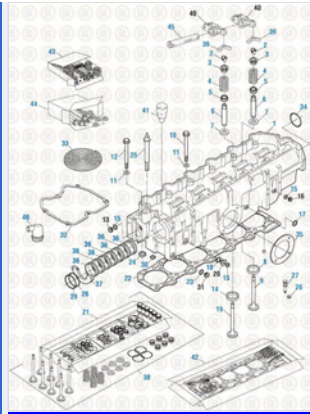
| E-Catalog Pages: | |
|------------------|--|
| Catalog Page | Description |
| | <p>O-Rings Parker Series 3</p> |

Copyright © 2020 PAI Industries, Inc.
 All rights reserved. All content is property of PAI Industries, Inc, and may not be reproduced or redistributed in any form.

Any reference to OEM names or OEM product identification numbers/descriptions/model numbers is for identification only and does not indicate that it is an OEM part. PAI is not affiliated with Mack Truck, Inc.®, Volvo®, Fuller®, Cummins®, Eaton®, Rockwell®, Caterpillar®, Freightliner®, Hendrickson®, Kenworth®, Detroit Diesel®, International®, Peterbilt®, or Dana®. All Manufacturer's names, numbers, symbols and descriptions are used for reference only. It is not implied that any part listed is the product of these manufacturers.

O-RING

321300



Caterpillar Engine 2019
Cylinder Head - 3406E / C15 / C16 / C18 Series

Component Of:

| SKU | Image | Description |
|------------------------|-------|-----------------------|
| 331392 | | OIL COOLER GASKET KIT |
| 331431 | | OIL COOLER GASKET KIT |
| 331676 | . | UPPER GASKET KIT |
| 121438 | . | FUEL PUMP SERVICE KIT |

Cross Reference:

| Manufacturer | OEM Number |
|--------------|------------|
| CATERPILLAR | 136-7227 |
| CATERPILLAR | 1367227 |
| CUMMINS | 3021123 |
| CATERPILLAR | 6V3251 |
| CATERPILLAR | 1144427 |
| CATERPILLAR | 114-4427 |

Copyright © 2020 PAI Industries, Inc.
All rights reserved. All content is property of PAI Industries, Inc. and may not be reproduced or redistributed in any form.

Any reference to OEM names or OEM product identification numbers/descriptions/model numbers is for identification only and does not indicate that it is an OEM part. PAI is not affiliated with Mack Truck, Inc.®, Volvo®, Fuller®, Cummins®, Eaton®, Rockwell®, Caterpillar®, Freightliner®, Hendrickson®, Kenworth®, Detroit Diesel®, International®, Peterbilt®, or Dana®. All Manufacturer's names, numbers, symbols and descriptions are used for reference only. It is not implied that any part listed is the product of these manufacturers.