

O-RING KIT

321333



Description:	O-RING KIT
SKU:	321333
OEM:	N/A
Product Group:	ENGINE PARTS
Product Class:	MISCELLANEOUS INJECTION PARTS
UPC Code:	193807081287
Sell Pack:	1 EA
Weight:	0.04 LBS
Warranty:	2 Years

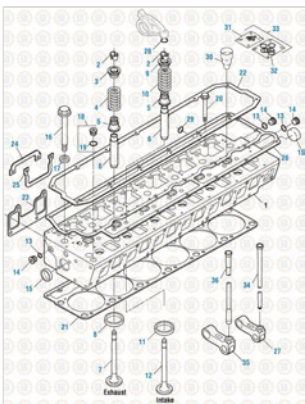
Details:

Injector O-Ring Kit
Caterpillar 3100 / C7 / 3126 application

E-Catalog Pages:

Catalog Page

Description



Caterpillar Engine 2019
Cylinder Head - 3116 / 3126 - 3100 / C7 Series

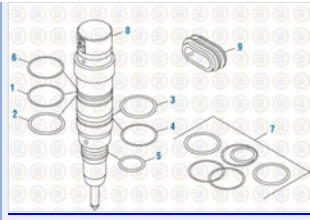
Copyright © 2020 PAI Industries, Inc.

All rights reserved. All content is property of PAI Industries, Inc. and may not be reproduced or redistributed in any form.

Any reference to OEM names or OEM product identification numbers/descriptions/model numbers is for identification only and does not indicate that it is an OEM part. PAI is not affiliated with Mack Truck, Inc.®, Volvo®, Fuller®, Cummins®, Eaton®, Rockwell®, Caterpillar®, Freightliner®, Hendrickson®, Kenworth®, Detroit Diesel®, International®, Peterbilt®, or Dana®. All Manufacturer's names, numbers, symbols and descriptions are used for reference only. It is not implied that any part listed is the product of these manufacturers.

O-RING KIT

321333



Caterpillar Engine 2019
 Fuel Injection Components - 3100 / C7 Series

Consists Of:

SKU	OEM	Image	Description	Quantity
321286	1258274		O-RING	6
321292	1148718		O-RING	6

Copyright © 2020 PAI Industries, Inc.
 All rights reserved. All content is property of PAI Industries, Inc, and may not be reproduced or redistributed in any form.

Any reference to OEM names or OEM product identification numbers/descriptions/model numbers is for identification only and does not indicate that it is an OEM part. PAI is not affiliated with Mack Truck, Inc.®, Volvo®, Fuller®, Cummins®, Eaton®, Rockwell®, Caterpillar®, Freightliner®, Hendrickson®, Kenworth®, Detroit Diesel®, International®, Peterbilt®, or Dana®. All Manufacturer's names, numbers, symbols and descriptions are used for reference only. It is not implied that any part listed is the product of these manufacturers.