

O-RING

321338



Description: O-RING
SKU: 321338
OEM: 5P7814
Product Group: ENGINE PARTS
Product Class: ENGINE BLOCKS & BLOCK PARTS (EXCEPT LINERS)
UPC Code: 193807081331
Sell Pack: 5 EA
 (Available to buy in increments of 5)
Weight: 0.01 LBS
Warranty: 2 Years



Details:

O-Ring, 0.072 in x 0.414 in
 1.83 mm x 10.52 mm, Viton (75) Series # 3-905

E-Catalog Pages:

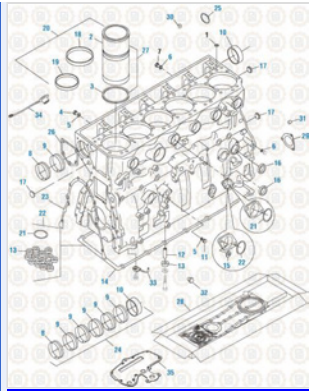
Catalog Page	Description
	<p>O-Rings Parker Series 3</p>

Copyright © 2020 PAI Industries, Inc.
 All rights reserved. All content is property of PAI Industries, Inc. and may not be reproduced or redistributed in any form.

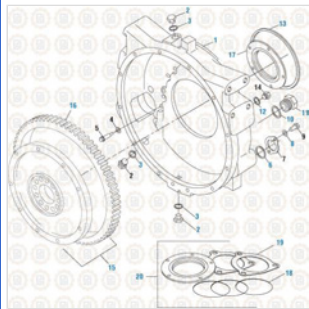
Any reference to OEM names or OEM product identification numbers/descriptions/model numbers is for identification only and does not indicate that it is an OEM part. PAI is not affiliated with Mack Truck, Inc.®, Volvo®, Fuller®, Cummins®, Eaton®, Rockwell®, Caterpillar®, Freightliner®, Hendrickson®, Kenworth®, Detroit Diesel®, International®, Peterbilt®, or Dana®. All Manufacturer's names, numbers, symbols and descriptions are used for reference only. It is not implied that any part listed is the product of these manufacturers.

O-RING

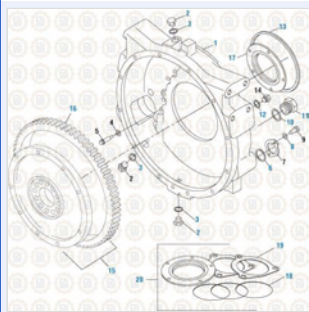
321338



Caterpillar Engine 2019
Cylinder Block - 3176 / C9 / C10 / C11 / C12 / C13 Series




Caterpillar Engine 2019
Flywheel Housing - 3176 / C9 / C10 / C11 / C12 / C13 Series



Caterpillar Engine 2019
Flywheel Housing - 3176 / C9 / C10 / C11 / C12 / C13 Series

Component Of:

SKU	Image	Description
331125-157		GASKET KIT
331144		OVERHAUL GASKET KIT
331453		REAR GASKET KIT

Copyright © 2020 PAI Industries, Inc.
All rights reserved. All content is property of PAI Industries, Inc. and may not be reproduced or redistributed in any form.

Any reference to OEM names or OEM product identification numbers/descriptions/model numbers is for identification only and does not indicate that it is an OEM part. PAI is not affiliated with Mack Truck, Inc.®, Volvo®, Fuller®, Cummins®, Eaton®, Rockwell®, Caterpillar®, Freightliner®, Hendrickson®, Kenworth®, Detroit Diesel®, International®, Peterbilt®, or Dana®. All Manufacturer's names, numbers, symbols and descriptions are used for reference only. It is not implied that any part listed is the product of these manufacturers.

O-RING

321338

331470-150		FUEL GASKET KIT
331503		UPPER GASKET KIT
331504		UPPER GASKET KIT
331510		REAR GASKET KIT
331542		UPPER GASKET KIT
331561		UPPER GASKET KIT
331562		LOWER GASKET SET
331627		CENTRAL/LOWER GASKET SET
331653		CRANKSHAFT SEALAND GASKET KIT
900321		O-RING KIT

Cross Reference:

Copyright © 2020 PAI Industries, Inc.
 All rights reserved. All content is property of PAI Industries, Inc. and may not be reproduced or redistributed in any form.

Any reference to OEM names or OEM product identification numbers/descriptions/model numbers is for identification only and does not indicate that it is an OEM part. PAI is not affiliated with Mack Truck, Inc.®, Volvo®, Fuller®, Cummins®, Eaton®, Rockwell®, Caterpillar®, Freightliner®, Hendrickson®, Kenworth®, Detroit Diesel®, International®, Peterbilt®, or Dana®. All Manufacturer's names, numbers, symbols and descriptions are used for reference only. It is not implied that any part listed is the product of these manufacturers.

O-RING

321338

Manufacturer	OEM Number
CATERPILLAR	5P-7814
CATERPILLAR	5P7814
CATERPILLAR	9X-0935
CATERPILLAR	9X0935
FULLER	13835
MACK	3088-13835

Copyright © 2020 PAI Industries, Inc.

All rights reserved. All content is property of PAI Industries, Inc, and may not be reproduced or redistributed in any form.

Any reference to OEM names or OEM product identification numbers/descriptions/model numbers is for identification only and does not indicate that it is an OEM part. PAI is not affiliated with Mack Truck, Inc.®, Volvo®, Fuller®, Cummins®, Eaton®, Rockwell®, Caterpillar®, Freightliner®, Hendrickson®, Kenworth®, Detroit Diesel®, International®, Peterbilt®, or Dana®. All Manufacturer's names, numbers, symbols and descriptions are used for reference only. It is not implied that any part listed is the product of these manufacturers.