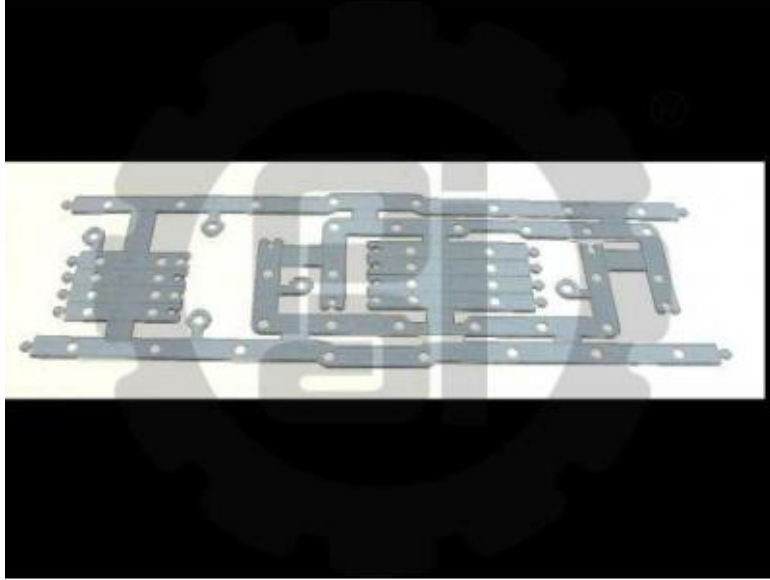
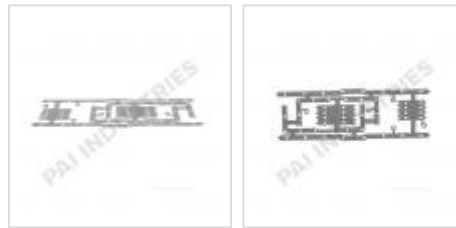


OIL PAN GASKET

331210



Description: OIL PAN GASKET
SKU: 331210
OEM: 4N1151
Product Group: ENGINE PARTS
Product Class: ENGINE GASKETS, O-RINGS & GASKET SETS
UPC Code: 193807124595
Sell Pack: 2 EA
 (Available to buy in increments of 2)
Weight: 1.60 LBS
Warranty: 2 Years



Details:
 Oil Pan Gasket
 Segmented
 Caterpillar 3406E / C15 / C16 / C18 Series application

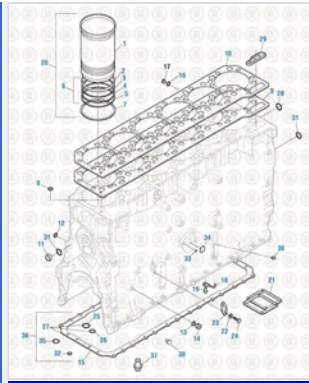
E-Catalog Pages:	
Catalog Page	Description
	<p>Caterpillar Engine 2019 Cylinder Block - 3400 Series</p>

Copyright © 2020 PAI Industries, Inc.
 All rights reserved. All content is property of PAI Industries, Inc, and may not be reproduced or redistributed in any form.

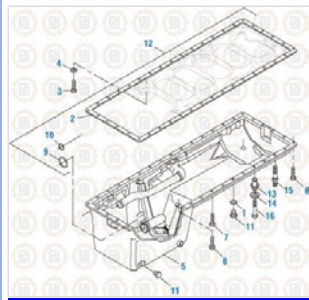
Any reference to OEM names or OEM product identification numbers/descriptions/model numbers is for identification only and does not indicate that it is an OEM part. PAI is not affiliated with Mack Truck, Inc.®, Volvo®, Fuller®, Cummins®, Eaton®, Rockwell®, Caterpillar®, Freightliner®, Hendrickson®, Kenworth®, Detroit Diesel®, International®, Peterbilt®, or Dana®. All Manufacturer's names, numbers, symbols and descriptions are used for reference only. It is not implied that any part listed is the product of these manufacturers.

OIL PAN GASKET

331210



Caterpillar Engine 2019
Cylinder Block - 3406E / C15 / C16 / C18 Series



Caterpillar Engine 2019
3406E - 3406E / C15 / C16 / C18 Series

Component Of:

SKU	Image	Description
331424		CENTRAL-LOWER GASKET KIT

Cross Reference:

Manufacturer	OEM Number
CATERPILLAR	188-0210
CATERPILLAR	1880210
CATERPILLAR	4N1151
CATERPILLAR	4N3661
CATERPILLAR	4N6340
CATERPILLAR	6N1396

Copyright © 2020 PAI Industries, Inc.
All rights reserved. All content is property of PAI Industries, Inc, and may not be reproduced or redistributed in any form.

Any reference to OEM names or OEM product identification numbers/descriptions/model numbers is for identification only and does not indicate that it is an OEM part. PAI is not affiliated with Mack Truck, Inc.®, Volvo®, Fuller®, Cummins®, Eaton®, Rockwell®, Caterpillar®, Freightliner®, Hendrickson®, Kenworth®, Detroit Diesel®, International®, Peterbilt®, or Dana®. All Manufacturer's names, numbers, symbols and descriptions are used for reference only. It is not implied that any part listed is the product of these manufacturers.