

FLYWHEEL HOUSING GASKET

331398



Description: FLYWHEEL HOUSING GASKET
SKU: 331398
OEM: 1555619
Product Group: ENGINE PARTS
Product Class: ENGINE GASKETS, O-RINGS & GASKET SETS
UPC Code: 193807126582
Sell Pack: 1 EA
Weight: 0.55 LBS
Warranty: 2 Years



Details:

Flywheel Housing Gasket
 Caterpillar 3400 / 3406E application

E-Catalog Pages:

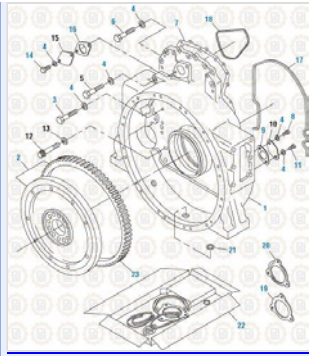
Catalog Page	Description
	<p>Caterpillar Engine 2019 Flywheel Housing and Assembly - 3400 Series</p>

Copyright © 2020 PAI Industries, Inc.
 All rights reserved. All content is property of PAI Industries, Inc, and may not be reproduced or redistributed in any form.

Any reference to OEM names or OEM product identification numbers/descriptions/model numbers is for identification only and does not indicate that it is an OEM part. PAI is not affiliated with Mack Truck, Inc.®, Volvo®, Fuller®, Cummins®, Eaton®, Rockwell®, Caterpillar®, Freightliner®, Hendrickson®, Kenworth®, Detroit Diesel®, International®, Peterbilt®, or Dana®. All Manufacturer's names, numbers, symbols and descriptions are used for reference only. It is not implied that any part listed is the product of these manufacturers.


FLYWHEEL HOUSING GASKET

331398



Caterpillar Engine 2019
 Flywheel Housing - 3406E / C15 / C16 / C18 Series

Component Of:

SKU	Image	Description
331420		REAR GASKET KIT

Cross Reference:

Manufacturer	OEM Number
CATERPILLAR	108-5891
CATERPILLAR	1085891
CATERPILLAR	155-5619
CATERPILLAR	1555619

Copyright © 2020 PAI Industries, Inc.
 All rights reserved. All content is property of PAI Industries, Inc. and may not be reproduced or redistributed in any form.

Any reference to OEM names or OEM product identification numbers/descriptions/model numbers is for identification only and does not indicate that it is an OEM part. PAI is not affiliated with Mack Truck, Inc.®, Volvo®, Fuller®, Cummins®, Eaton®, Rockwell®, Caterpillar®, Freightliner®, Hendrickson®, Kenworth®, Detroit Diesel®, International®, Peterbilt®, or Dana®. All Manufacturer's names, numbers, symbols and descriptions are used for reference only. It is not implied that any part listed is the product of these manufacturers.