

# CAM PLATE GASKET

331466



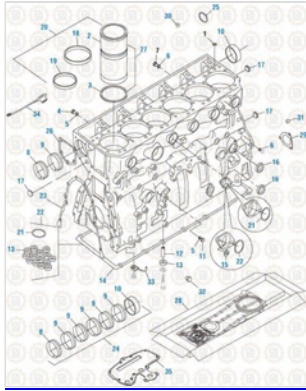
**Description:** CAM PLATE GASKET  
**SKU:** 331466  
**OEM:** 1337068  
**Product Group:** ENGINE PARTS  
**Product Class:** ENGINE GASKETS, O-RINGS & GASKET SETS  
**UPC Code:** 193807127312  
**Sell Pack:** 4 EA  
 (Available to buy in increments of 4)  
**Weight:** 0.04 LBS  
**Warranty:** 2 Years



**Details:**

Cam Plate Gasket  
 Caterpillar C12 / C12 application

**E-Catalog Pages:**

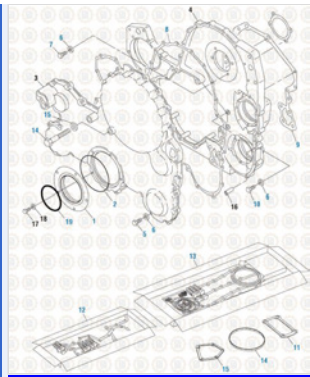
Catalog Page	Description
	<p><b>Caterpillar Engine 2019</b>                  Cylinder Block - 3176 / C9 / C10 / C11 / C12 / C13 Series</p>

Copyright © 2020 PAI Industries, Inc.  
 All rights reserved. All content is property of PAI Industries, Inc. and may not be reproduced or redistributed in any form.

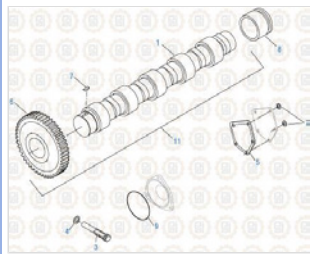
Any reference to OEM names or OEM product identification numbers/descriptions/model numbers is for identification only and does not indicate that it is an OEM part. PAI is not affiliated with Mack Truck, Inc.®, Volvo®, Fuller®, Cummins®, Eaton®, Rockwell®, Caterpillar®, Freightliner®, Hendrickson®, Kenworth®, Detroit Diesel®, International®, Peterbilt®, or Dana®. All Manufacturer's names, numbers, symbols and descriptions are used for reference only. It is not implied that any part listed is the product of these manufacturers.

# CAM PLATE GASKET

331466



**Caterpillar Engine 2019**  
Front Cover - 3176 / C9 / C10 / C11 / C12 / C13 Series



**Caterpillar Engine 2019**  
Camshaft - 3176 / C9 / C10 / C11 / C12 / C13 Series

**Component Of:**

SKU	Image	Description
<a href="#">331547</a>		FRONT GASKET KIT
<a href="#">331548</a>		FRONT COVER GASKET KIT

**Cross Reference:**

Manufacturer	OEM Number
CATERPILLAR	118-0445
CATERPILLAR	1180445
CATERPILLAR	133-7068
CATERPILLAR	1337068

Copyright © 2020 PAI Industries, Inc.  
All rights reserved. All content is property of PAI Industries, Inc, and may not be reproduced or redistributed in any form.

Any reference to OEM names or OEM product identification numbers/descriptions/model numbers is for identification only and does not indicate that it is an OEM part. PAI is not affiliated with Mack Truck, Inc.®, Volvo®, Fuller®, Cummins®, Eaton®, Rockwell®, Caterpillar®, Freightliner®, Hendrickson®, Kenworth®, Detroit Diesel®, International®, Peterbilt®, or Dana®. All Manufacturer's names, numbers, symbols and descriptions are used for reference only. It is not implied that any part listed is the product of these manufacturers.