

ISOLATOR ASSEMBLY

340090



Description: ISOLATOR ASSEMBLY
SKU: 340090
OEM: 2401614
Product Group: ENGINE PARTS
Product Class: VALVE COVERS & GASKETS, OIL FILL PARTS
UPC Code: 193807190217
Sell Pack: 6 EA
 (Available to buy in increments of 6)
Weight: 0.19 LBS
Warranty: 2 Years

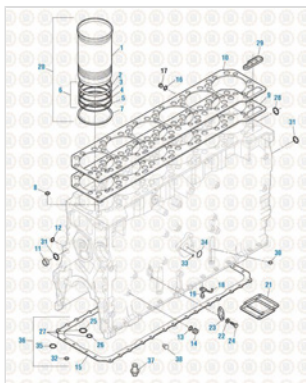


Details:

Isolator Assembly
 Caterpillar C15 application

E-Catalog Pages:

Catalog Page	Description
--------------	-------------



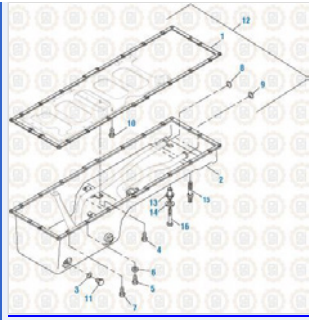
Caterpillar Engine 2019
 Cylinder Block - 3406E / C15 / C16 / C18 Series

Copyright © 2020 PAI Industries, Inc.
 All rights reserved. All content is property of PAI Industries, Inc, and may not be reproduced or redistributed in any form.

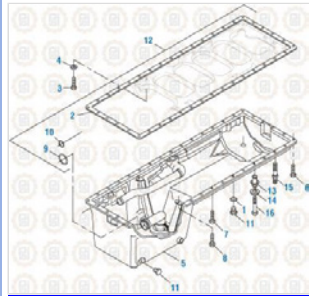
Any reference to OEM names or OEM product identification numbers/descriptions/model numbers is for identification only and does not indicate that it is an OEM part. PAI is not affiliated with Mack Truck, Inc.®, Volvo®, Fuller®, Cummins®, Eaton®, Rockwell®, Caterpillar®, Freightliner®, Hendrickson®, Kenworth®, Detroit Diesel®, International®, Peterbilt®, or Dana®. All Manufacturer's names, numbers, symbols and descriptions are used for reference only. It is not implied that any part listed is the product of these manufacturers.

ISOLATOR ASSEMBLY

340090



Caterpillar Engine 2019
C15 - 3406E / C15 / C16 / C18 Series



Caterpillar Engine 2019
3406E - 3406E / C15 / C16 / C18 Series

Component Of:

SKU	Image	Description
331155		OIL PAN GASKET KIT

Cross Reference:

Manufacturer	OEM Number
CATERPILLAR	240-1614
CATERPILLAR	2401614

Copyright © 2020 PAI Industries, Inc.
All rights reserved. All content is property of PAI Industries, Inc, and may not be reproduced or redistributed in any form.

Any reference to OEM names or OEM product identification numbers/descriptions/model numbers is for identification only and does not indicate that it is an OEM part. PAI is not affiliated with Mack Truck, Inc.®, Volvo®, Fuller®, Cummins®, Eaton®, Rockwell®, Caterpillar®, Freightliner®, Hendrickson®, Kenworth®, Detroit Diesel®, International®, Peterbilt®, or Dana®. All Manufacturer's names, numbers, symbols and descriptions are used for reference only. It is not implied that any part listed is the product of these manufacturers.