

OIL PUMP

341311



| | |
|------------------------------------|---------------------------|
| Description: | OIL PUMP |
| SKU: | 341311 |
| OEM: | 4N0733 |
| Product Group: | ENGINE PARTS |
| Product Class: | OIL PUMPS & RELATED PARTS |
| UPC Code: | 193807206864 |
| Sell Pack: | 1 EA |
| Weight: | 23.15 LBS |
| Package Dimensions (LxWxH): | 15 x 8 x 7 inches |
| Warranty: | 2 Years |



| |
|--|
| Details: |
| Oil Pump Caterpillar 3406 application |

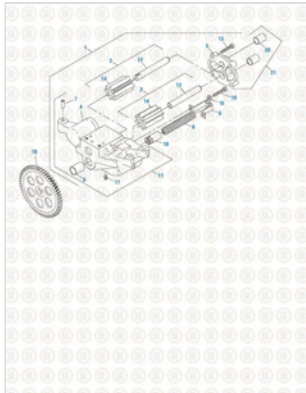
| E-Catalog Pages: | |
|------------------|-------------|
| Catalog Page | Description |
| | |

Copyright © 2020 PAI Industries, Inc.
 All rights reserved. All content is property of PAI Industries, Inc, and may not be reproduced or redistributed in any form.

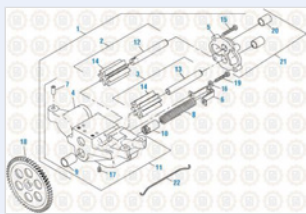
Any reference to OEM names or OEM product identification numbers/descriptions/model numbers is for identification only and does not indicate that it is an OEM part. PAI is not affiliated with Mack Truck, Inc.®, Volvo®, Fuller®, Cummins®, Eaton®, Rockwell®, Caterpillar®, Freightliner®, Hendrickson®, Kenworth®, Detroit Diesel®, International®, Peterbilt®, or Dana®. All Manufacturer's names, numbers, symbols and descriptions are used for reference only. It is not implied that any part listed is the product of these manufacturers.

OIL PUMP

341311



Caterpillar Engine 2019
Oil Pump - 3400 Series



Caterpillar Engine 2019
Oil Pump - 3406E / C15 / C16 / C18 Series



Water Pump, Thermostats and Oil Pump 2017
3400 Series Oil Pumps - Oil Pumps

Consists Of:



| SKU | OEM | Image | Description | Quantity |
|------------------------|--------|---|----------------------|----------|
| 341321 | 1W7238 | . | OIL PUMP DRIVE SHAFT | 1 |
| 341322 | 1W7239 | . | OIL PUMP DRIVE SHAFT | 1 |
| 340028 | 2P3205 | . | SCREW | 4 |
| 341351 | 2S2760 |  | RELIEF SPRING | 1 |
| 341350 | 6N1931 | . | RELIEF PLUNGER | 1 |
| 341342 | 7C6498 |  | OIL PUMP COVER | 1 |

Copyright © 2020 PAI Industries, Inc.
All rights reserved. All content is property of PAI Industries, Inc. and may not be reproduced or redistributed in any form.

Any reference to OEM names or OEM product identification numbers/descriptions/model numbers is for identification only and does not indicate that it is an OEM part. PAI is not affiliated with Mack Truck, Inc.®, Volvo®, Fuller®, Cummins®, Eaton®, Rockwell®, Caterpillar®, Freightliner®, Hendrickson®, Kenworth®, Detroit Diesel®, International®, Peterbilt®, or Dana®. All Manufacturer's names, numbers, symbols and descriptions are used for reference only. It is not implied that any part listed is the product of these manufacturers.

OIL PUMP

341311

| | | | | |
|--------------------------|-------------|---|---------------------------|---|
| 341353 | 9Y1800 | | SPRING RETAINER | 1 |
| 341341 | 2369918 | | OIL PUMP HOUSING ASSEMBLY | 1 |
| EPP-3572 | 49AX242 |  | PLUG | 1 |
| 340037 | 1M0644 | | SCREW | 2 |
| ER01750 | 1229-K-1597 |  | WASHER | 6 |

Cross Reference:

| Manufacturer | OEM Number |
|--------------|------------|
| CATERPILLAR | 0R0918 |
| CATERPILLAR | 0R9448 |
| CATERPILLAR | 161-4111 |
| CATERPILLAR | 1614111 |
| CATERPILLAR | 4N0733 |
| CATERPILLAR | 4N733 |

Copyright © 2020 PAI Industries, Inc.
 All rights reserved. All content is property of PAI Industries, Inc, and may not be reproduced or redistributed in any form.

Any reference to OEM names or OEM product identification numbers/descriptions/model numbers is for identification only and does not indicate that it is an OEM part. PAI is not affiliated with Mack Truck, Inc.®, Volvo®, Fuller®, Cummins®, Eaton®, Rockwell®, Caterpillar®, Freightliner®, Hendrickson®, Kenworth®, Detroit Diesel®, International®, Peterbilt®, or Dana®. All Manufacturer's names, numbers, symbols and descriptions are used for reference only. It is not implied that any part listed is the product of these manufacturers.