

OIL PUMP

341313



Description:	OIL PUMP
SKU:	341313
OEM:	2335220
Product Group:	ENGINE PARTS
Product Class:	OIL PUMPS & RELATED PARTS
UPC Code:	193807206918
Sell Pack:	1 EA
Weight:	7.85 LBS
Package Dimensions (LxWxH):	7 x 7 x 7 inches
Warranty:	2 Years



Details:

Oil Pump
Caterpillar C12 application

E-Catalog Pages:

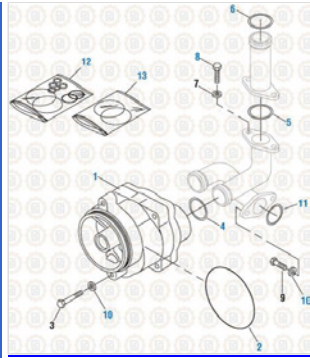
Catalog Page	Description

Copyright © 2020 PAI Industries, Inc.
All rights reserved. All content is property of PAI Industries, Inc, and may not be reproduced or redistributed in any form.

Any reference to OEM names or OEM product identification numbers/descriptions/model numbers is for identification only and does not indicate that it is an OEM part. PAI is not affiliated with Mack Truck, Inc.®, Volvo®, Fuller®, Cummins®, Eaton®, Rockwell®, Caterpillar®, Freightliner®, Hendrickson®, Kenworth®, Detroit Diesel®, International®, Peterbilt®, or Dana®. All Manufacturer's names, numbers, symbols and descriptions are used for reference only. It is not implied that any part listed is the product of these manufacturers.

OIL PUMP

341313



Caterpillar Engine 2019
C12 and C13 Series



Water Pump, Thermostats and Oil Pump 2017
3176, C10-C13 Series Oil Pumps - Oil Pumps

Consists Of:

SKU	OEM	Image	Description	Quantity
341313-100	N/A		LUBE PUMP	1
821010	446GC2156		O-RING	1

Cross Reference:

Manufacturer	OEM Number
CATERPILLAR	10R2296
CATERPILLAR	233-5220
CATERPILLAR	2335220

Copyright © 2020 PAI Industries, Inc.
All rights reserved. All content is property of PAI Industries, Inc. and may not be reproduced or redistributed in any form.

Any reference to OEM names or OEM product identification numbers/descriptions/model numbers is for identification only and does not indicate that it is an OEM part. PAI is not affiliated with Mack Truck, Inc.®, Volvo®, Fuller®, Cummins®, Eaton®, Rockwell®, Caterpillar®, Freightliner®, Hendrickson®, Kenworth®, Detroit Diesel®, International®, Peterbilt®, or Dana®. All Manufacturer's names, numbers, symbols and descriptions are used for reference only. It is not implied that any part listed is the product of these manufacturers.