

VALVE COVER GASKET

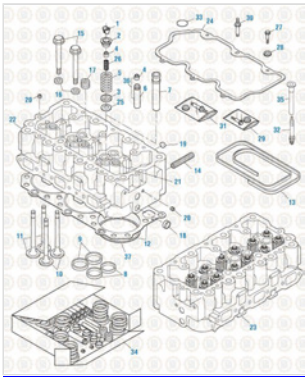
EGK-3426



Description:	VALVE COVER GASKET
SKU:	EGK-3426
OEM:	554GB321
Product Group:	ENGINE PARTS
Product Class:	ENGINE GASKETS, O-RINGS & GASKET SETS
UPC Code:	193807204556
Sell Pack:	2 EA (Available to buy in increments of 2)
Weight:	0.45 LBS
Warranty:	2 Years

Details:

Valve Cover Gasket
 Viton
 Joined Ends
 Silicone
 Mack E7/E6 application
 Volvo Renault Engine E-Tech

E-Catalog Pages:**Catalog Page****Description**

PAI Mack & Volvo Applications 2018
 E-Tech, ASET - E7 Series

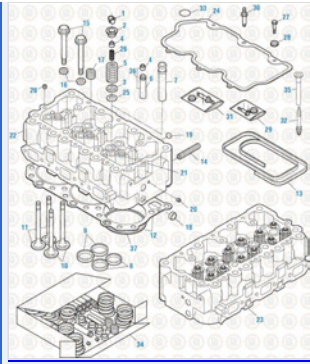
Copyright © 2020 PAI Industries, Inc.

All rights reserved. All content is property of PAI Industries, Inc, and may not be reproduced or redistributed in any form.

Any reference to OEM names or OEM product identification numbers/descriptions/model numbers is for identification only and does not indicate that it is an OEM part. PAI is not affiliated with Mack Truck, Inc.®, Volvo®, Fuller®, Cummins®, Eaton®, Rockwell®, Caterpillar®, Freightliner®, Hendrickson®, Kenworth®, Detroit Diesel®, International®, Peterbilt®, or Dana®. All Manufacturer's names, numbers, symbols and descriptions are used for reference only. It is not implied that any part listed is the product of these manufacturers.

VALVE COVER GASKET

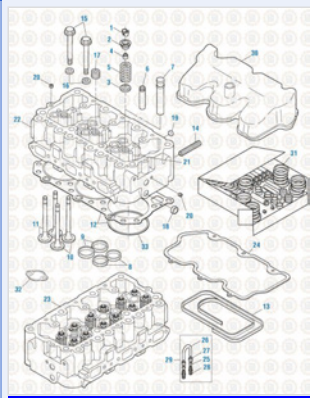
EGK-3426



Volvo / Renault Engine Components 2015
Cylinder Head Assembly - E-Tech - Renault / E-Tech



PAI Mack & Volvo Applications 2018
Valve Covers - Two and Four Valve Head - E6 Series



PAI Mack & Volvo Applications 2018
E7 - E7 Series

Component Of:

SKU	Image	Description
EGS-3856-152		VALVE COVER KIT

Cross Reference:

Manufacturer	OEM Number
MACK	25502572
MACK	554GB321

Copyright © 2020 PAI Industries, Inc.
All rights reserved. All content is property of PAI Industries, Inc, and may not be reproduced or redistributed in any form.

Any reference to OEM names or OEM product identification numbers/descriptions/model numbers is for identification only and does not indicate that it is an OEM part. PAI is not affiliated with Mack Truck, Inc.®, Volvo®, Fuller®, Cummins®, Eaton®, Rockwell®, Caterpillar®, Freightliner®, Hendrickson®, Kenworth®, Detroit Diesel®, International®, Peterbilt®, or Dana®. All Manufacturer's names, numbers, symbols and descriptions are used for reference only. It is not implied that any part listed is the product of these manufacturers.