

# PLUG

# AKP-3473



**Description:** PLUG  
**SKU:** AKP-3473  
**OEM:** 49AX281  
**Product Group:** STEERING  
**Product Class:** KING PINS SETS & PARTS  
**UPC Code:** 193807204976  
**Sell Pack:** 2 EA  
 (Available to buy in increments of 2)  
**Weight:** 0.04 LBS  
**Warranty:** 2 Years



**Details:**

Straight Thread O-Ring Boss Plug  
 7/16in-20 Thread  
 9/16in O.D.  
 3/16in Hex  
 Steel  
 Uses FGA-4188 O-Ring included

**E-Catalog Pages:**

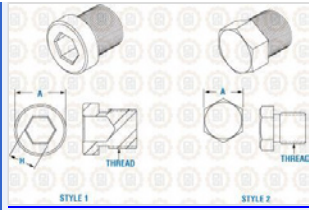
Catalog Page	Description
	<p><b>Chassis Suspension</b>                      Front Axle Components</p>

**Copyright © 2020 PAI Industries, Inc.**  
 All rights reserved. All content is property of PAI Industries, Inc, and may not be reproduced or redistributed in any form.

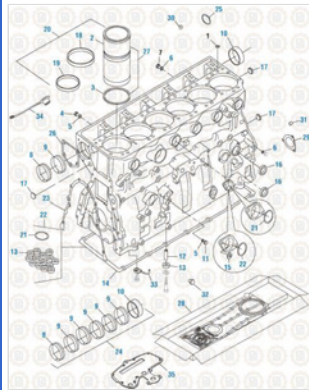
Any reference to OEM names or OEM product identification numbers/descriptions/model numbers is for identification only and does not indicate that it is an OEM part. PAI is not affiliated with Mack Truck, Inc.®, Volvo®, Fuller®, Cummins®, Eaton®, Rockwell®, Caterpillar®, Freightliner®, Hendrickson®, Kenworth®, Detroit Diesel®, International®, Peterbilt®, or Dana®. All Manufacturer's names, numbers, symbols and descriptions are used for reference only. It is not implied that any part listed is the product of these manufacturers.

# PLUG

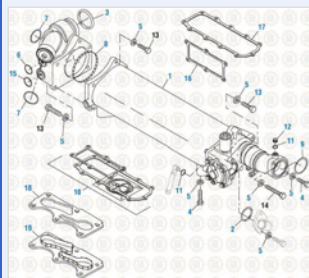
# AKP-3473



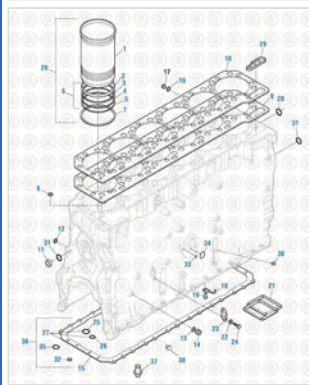
**Hardware**  
O-Ring Plugs - Inch



**Caterpillar Engine 2019**  
Cylinder Block - 3176 / C9 / C10 / C11 / C12 / C13 Series



**Caterpillar Engine 2019**  
C11 and C13 - 3176 / C9 / C10 / C11 / C12 / C13 Series



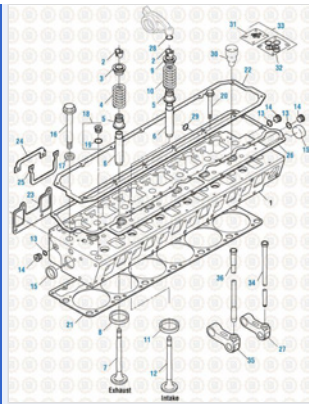
**Caterpillar Engine 2019**  
Cylinder Block - 3406E / C15 / C16 / C18 Series

Copyright © 2020 PAI Industries, Inc.  
All rights reserved. All content is property of PAI Industries, Inc, and may not be reproduced or redistributed in any form.

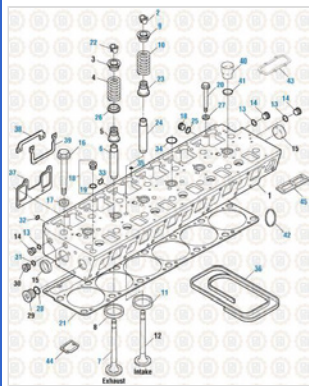
Any reference to OEM names or OEM product identification numbers/descriptions/model numbers is for identification only and does not indicate that it is an OEM part. PAI is not affiliated with Mack Truck, Inc.®, Volvo®, Fuller®, Cummins®, Eaton®, Rockwell®, Caterpillar®, Freightliner®, Hendrickson®, Kenworth®, Detroit Diesel®, International®, Peterbilt®, or Dana®. All Manufacturer's names, numbers, symbols and descriptions are used for reference only. It is not implied that any part listed is the product of these manufacturers.

# PLUG

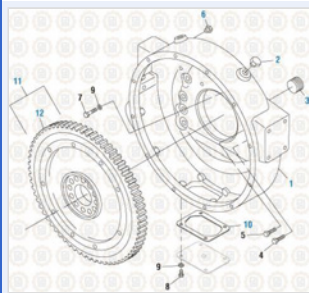
# AKP-3473



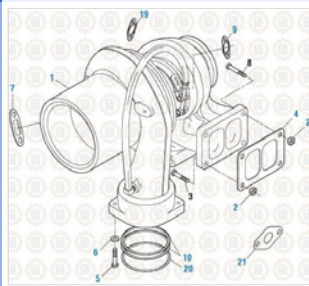
**Caterpillar Engine 2019**  
Cylinder Head - 3116 / 3126 - 3100 / C7 Series



**Caterpillar Engine 2019**  
Cylinder Head - 3126B / C7 - 3100 / C7 Series



**Caterpillar Engine 2019**  
Flywheel Housing - 3100 / C7 Series



**Caterpillar Engine 2019**  
Turbocharger - 3300 Series

**Component Of:**

SKU	Image	Description

Copyright © 2020 PAI Industries, Inc.  
All rights reserved. All content is property of PAI Industries, Inc, and may not be reproduced or redistributed in any form.

Any reference to OEM names or OEM product identification numbers/descriptions/model numbers is for identification only and does not indicate that it is an OEM part. PAI is not affiliated with Mack Truck, Inc.®, Volvo®, Fuller®, Cummins®, Eaton®, Rockwell®, Caterpillar®, Freightliner®, Hendrickson®, Kenworth®, Detroit Diesel®, International®, Peterbilt®, or Dana®. All Manufacturer's names, numbers, symbols and descriptions are used for reference only. It is not implied that any part listed is the product of these manufacturers.

PLUG

AKP-3473

[AKP-3479](#)



KING PIN KIT

[AKP-9819](#)



KING PIN KIT

Cross Reference:

Manufacturer	OEM Number
MACK	6635-4HP5ONS
MACK	49AX281
MACK	6635-4HP5ON
CATERPILLAR	9S8002
CATERPILLAR	9S4182

Copyright © 2020 PAI Industries, Inc.  
 All rights reserved. All content is property of PAI Industries, Inc, and may not be reproduced or redistributed in any form.

Any reference to OEM names or OEM product identification numbers/descriptions/model numbers is for identification only and does not indicate that it is an OEM part. PAI is not affiliated with Mack Truck, Inc.®, Volvo®, Fuller®, Cummins®, Eaton®, Rockwell®, Caterpillar®, Freightliner®, Hendrickson®, Kenworth®, Detroit Diesel®, International®, Peterbilt®, or Dana®. All Manufacturer's names, numbers, symbols and descriptions are used for reference only. It is not implied that any part listed is the product of these manufacturers.