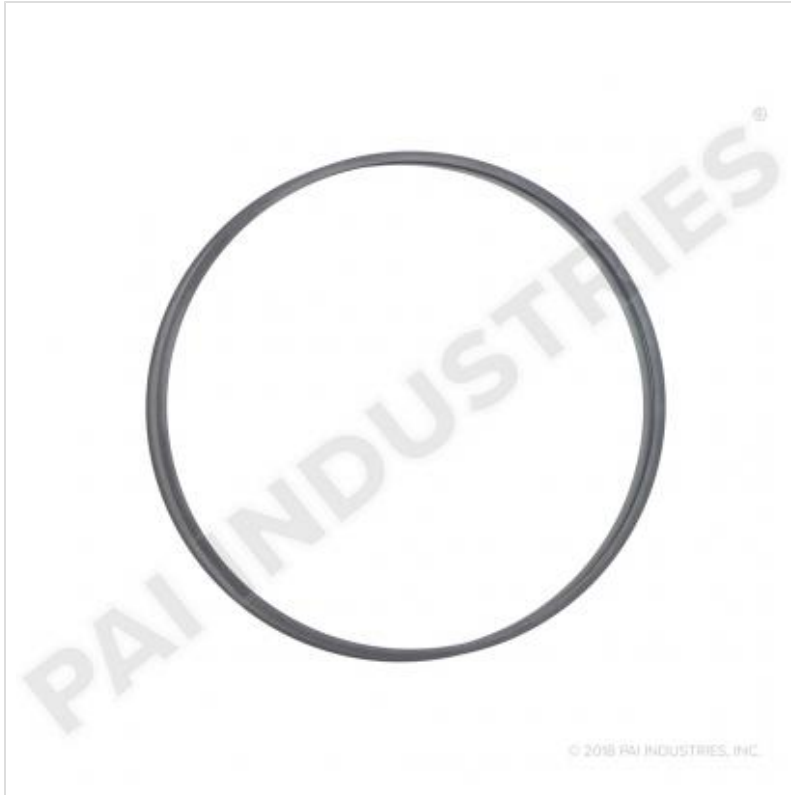


LINER SHIM

362002



Description: LINER SHIM
SKU: 362002
OEM: 9Y3368
Product Group: ENGINE PARTS
Product Class: CYLINDER LINERS (SLEEVES)
UPC Code: 193807059248
Sell Pack: 3 EA
 (Available to buy in increments of 3)
Weight: 0.13 LBS
Warranty: 2 Years



Details:
 Liner Shim
 .032in
 Caterpillar 3400 Series application

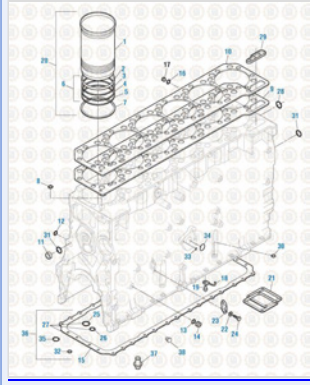
E-Catalog Pages:	
Catalog Page	Description
	<p>Caterpillar Engine 2019 Cylinder Block - 3400 Series</p>

Copyright © 2020 PAI Industries, Inc.
 All rights reserved. All content is property of PAI Industries, Inc, and may not be reproduced or redistributed in any form.

Any reference to OEM names or OEM product identification numbers/descriptions/model numbers is for identification only and does not indicate that it is an OEM part. PAI is not affiliated with Mack Truck, Inc.®, Volvo®, Fuller®, Cummins®, Eaton®, Rockwell®, Caterpillar®, Freightliner®, Hendrickson®, Kenworth®, Detroit Diesel®, International®, Peterbilt®, or Dana®. All Manufacturer's names, numbers, symbols and descriptions are used for reference only. It is not implied that any part listed is the product of these manufacturers.

LINER SHIM

362002



Caterpillar Engine 2019
Cylinder Block - 3406E / C15 / C16 / C18 Series

Cross Reference:

Manufacturer	OEM Number
CATERPILLAR	9Y3368

Copyright © 2020 PAI Industries, Inc.
All rights reserved. All content is property of PAI Industries, Inc, and may not be reproduced or redistributed in any form.

Any reference to OEM names or OEM product identification numbers/descriptions/model numbers is for identification only and does not indicate that it is an OEM part. PAI is not affiliated with Mack Truck, Inc.®, Volvo®, Fuller®, Cummins®, Eaton®, Rockwell®, Caterpillar®, Freightliner®, Hendrickson®, Kenworth®, Detroit Diesel®, International®, Peterbilt®, or Dana®. All Manufacturer's names, numbers, symbols and descriptions are used for reference only. It is not implied that any part listed is the product of these manufacturers.