

CONNECTING ROD BEARING

370015



Description: CONNECTING ROD BEARING
SKU: 370015
OEM: 9Y7735
Product Group: ENGINE PARTS
Product Class: ENGINE BEARINGS (ALL)
UPC Code: 193807084585
Sell Pack: 1 EA
Weight: 0.84 LBS
Warranty: 2 Years



Details:

Connecting Rod Bearing
 STD
 Caterpillar 3406 One Piece Piston / C15 / C16 Two Piece Piston / 3406C / 3406E application

Substitute:

SKU	Sell Pack	Weight	Warranty	Description
370015HP	1	0.86 LBS	3 Years	HIGH PERFORMANCE CONNECTING ROD BEARING

E-Catalog Pages:

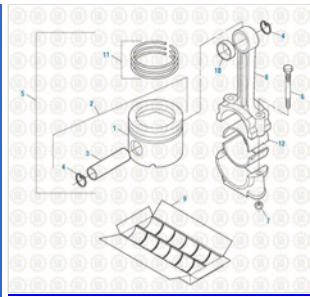
Catalog Page	Description

Copyright © 2020 PAI Industries, Inc.
 All rights reserved. All content is property of PAI Industries, Inc, and may not be reproduced or redistributed in any form.

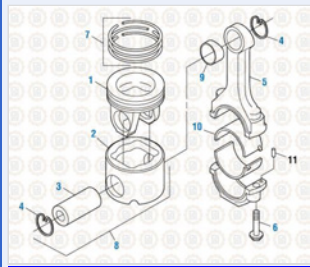
Any reference to OEM names or OEM product identification numbers/descriptions/model numbers is for identification only and does not indicate that it is an OEM part. PAI is not affiliated with Mack Truck, Inc.®, Volvo®, Fuller®, Cummins®, Eaton®, Rockwell®, Caterpillar®, Freightliner®, Hendrickson®, Kenworth®, Detroit Diesel®, International®, Peterbilt®, or Dana®. All Manufacturer's names, numbers, symbols and descriptions are used for reference only. It is not implied that any part listed is the product of these manufacturers.

CONNECTING ROD BEARING

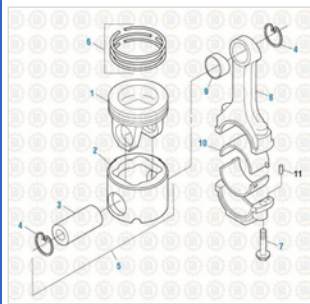
370015



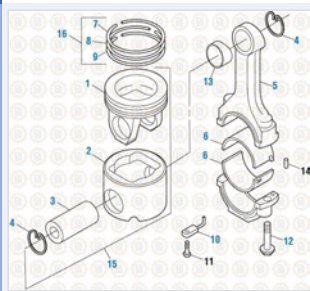
Caterpillar Engine 2019
3400 - One Piece Piston - 3400 Series



Caterpillar Engine 2019
3406E - 3406E / C15 / C16 / C18 Series



Caterpillar Engine 2019
3406 C - 3400 Series



Caterpillar Engine 2019
C-15 , C16 - Two Piece - 3406E / C15 / C16 / C18 Series

Component Of:

SKU	Image	Description
340611-010	.	INFRAME ENGINE KIT
340611-028	.	INFRAME ENGINE KIT
340611-064	.	INFRAME ENGINE KIT
340611-082	.	INFRAME ENGINE KIT
340611-084	.	INFRAME ENGINE KIT
340611-100	.	INFRAME ENGINE KIT

Copyright © 2020 PAI Industries, Inc.
All rights reserved. All content is property of PAI Industries, Inc, and may not be reproduced or redistributed in any form.

Any reference to OEM names or OEM product identification numbers/descriptions/model numbers is for identification only and does not indicate that it is an OEM part. PAI is not affiliated with Mack Truck, Inc.®, Volvo®, Fuller®, Cummins®, Eaton®, Rockwell®, Caterpillar®, Freightliner®, Hendrickson®, Kenworth®, Detroit Diesel®, International®, Peterbilt®, or Dana®. All Manufacturer's names, numbers, symbols and descriptions are used for reference only. It is not implied that any part listed is the product of these manufacturers.

CONNECTING ROD BEARING

370015

340611-118	.	INFRAME ENGINE KIT
340611-154	.	INFRAME ENGINE KIT
340612-010	.	INFRAME ENGINE KIT
340612-028	.	INFRAME ENGINE KIT
340612-046	.	INFRAME ENGINE KIT
340612-064	.	INFRAME ENGINE KIT
340612-082	.	INFRAME ENGINE KIT
340613-028	.	INFRAME ENGINE KIT
340613-046	.	INFRAME ENGINE KIT
340614-010	.	INFRAME ENGINE KIT
340614-028	.	INFRAME ENGINE KIT
340614-046	.	INFRAME ENGINE KIT
340614-064	.	INFRAME ENGINE KIT
340615-010	.	INFRAME ENGINE KIT
340615-028	.	INFRAME ENGINE KIT
340615-046	.	INFRAME ENGINE KIT
340615-047	.	INFRAME ENGINE KIT
340616-010	.	INFRAME ENGINE KIT
340616-011	.	INFRAME ENGINE KIT
340616-028	.	INFRAME ENGINE KIT
340616-046	.	INFRAME ENGINE KIT
340617-010	.	INFRAME ENGINE KIT
340617-028	.	INFRAME ENGINE KIT
340618-010	.	INFRAME ENGINE KIT
340618-011	.	INFRAME ENGINE KIT
340618-028	.	INFRAME ENGINE KIT
340619-010	.	ENGINE KIT
340619-028	.	ENGINE KIT
340620-010	.	ENGINE KIT
340621-010	.	INFRAME ENGINE KIT
340621-028	.	INFRAME ENGINE KIT
340621-910	.	INFRAME ENGINE KIT
340622-010	.	INFRAME ENGINE KIT
340623-010	.	INFRAME ENGINE KIT
340624-010	.	INFRAME ENGINE KIT
340624-028	.	INFRAME ENGINE KIT
340625-010	.	INFRAME ENGINE KIT
340626-010	.	INFRAME ENGINE KIT
340626-064	.	INFRAME ENGINE KIT
340632-010	.	INFRAME ENGINE KIT

Copyright © 2020 PAI Industries, Inc.

All rights reserved. All content is property of PAI Industries, Inc. and may not be reproduced or redistributed in any form.

Any reference to OEM names or OEM product identification numbers/descriptions/model numbers is for identification only and does not indicate that it is an OEM part. PAI is not affiliated with Mack Truck, Inc.®, Volvo®, Fuller®, Cummins®, Eaton®, Rockwell®, Caterpillar®, Freightliner®, Hendrickson®, Kenworth®, Detroit Diesel®, International®, Peterbilt®, or Dana®. All Manufacturer's names, numbers, symbols and descriptions are used for reference only. It is not implied that any part listed is the product of these manufacturers.

CONNECTING ROD BEARING

370015

340632-910	.	INFRAME ENGINE KIT
340640-010	.	PISTONLESS ENGINE KIT
340640-028	.	PISTONLESS ENGINE KIT
340649-010	.	CROWNLESS ENGINE KIT
340651-010	.	INFRAME ENGINE KIT
340651-028	.	INFRAME ENGINE KIT
340661-028	.	ENGINE OVERHAULKIT
340661-064	.	ENGINE OVERHAULKIT
340661-100	.	ENGINE OVERHAULKIT
340662-028	.	ENGINE OVERHAULKIT
340662-064	.	ENGINE OVERHAULKIT
340662-065	.	OVERHAUL ENGINE KIT
340663-010	.	ENGINE OVERHAULKIT
340663-028	.	ENGINE OVERHAULKIT
340664-010	.	ENGINE OVERHAULKIT
340664-064	.	ENGINE OVERHAULKIT
340664-082	.	OVERHAUL ENGINE KIT
340664-084	.	ENGINE OVERHAULKIT
340665-028	.	ENGINE OVERHAULKIT
340666-010	.	OVERHAUL ENGINE KIT
340666-028	.	ENGINE OVERHAULKIT
340666-064	.	ENGINE OVERHAULKIT
340666-082	.	ENGINE OVERHAULKIT
340666-083	.	OVERHAUL ENGINE KIT
340666-100	.	OVERHAUL ENGINE KIT
340667-010	.	ENGINE OVERHAULKIT
340667-011	.	OVERHAUL ENGINE KIT
340667-012	.	OVERHAUL ENGINE KIT
340667-028	.	ENGINE OVERHAULKIT
340668-010	.	ENGINE OVERHAULKIT
340668-028	.	ENGINE OVERHAULKIT
340669-010	.	ENGINE OVERHAULKIT
340669-028	.	ENGINE OVERHAULKIT
340670-010	.	ENGINE OVERHAULKIT
340671-010	.	ENGINE OVERHAULKIT
340671-028	.	ENGINE OVERHAULKIT
340672-010	.	ENGINE OVERHAULKIT
340673-010	.	ENGINE OVERHAULKIT
340674-010	.	OVERHAUL ENGINE KIT

Copyright © 2020 PAI Industries, Inc.

All rights reserved. All content is property of PAI Industries, Inc. and may not be reproduced or redistributed in any form.

Any reference to OEM names or OEM product identification numbers/descriptions/model numbers is for identification only and does not indicate that it is an OEM part. PAI is not affiliated with Mack Truck, Inc.®, Volvo®, Fuller®, Cummins®, Eaton®, Rockwell®, Caterpillar®, Freightliner®, Hendrickson®, Kenworth®, Detroit Diesel®, International®, Peterbilt®, or Dana®. All Manufacturer's names, numbers, symbols and descriptions are used for reference only. It is not implied that any part listed is the product of these manufacturers.

CONNECTING ROD BEARING

370015

340675-010	.	ENGINE OVERHAULKIT
340682-010	.	ENGINE OVERHAULKIT
C15101-010	.	ENGINE KIT
C15101-011	.	ENGINE KIT
C15102-010	.	ENGINE KIT
C15104-010	.	ENGINE KIT
C15130-010	.	ENGINE KIT
C15130-028	.	ENGINE KIT
C15130-046	.	ENGINE KIT
C15131-010	.	CROWNLESS ENGINE KIT
C15131-028	.	ENGINE KIT
C15131-046	.	ENGINE KIT
C15601-010	.	ENGINE OVERHAUL KIT
C15602-010	.	ENGINE OVERHAUL KIT
C15602-011	.	ENGINE OVERHAUL KIT
C15604-010	.	ENGINE OVERHAUL KIT
C15604-011	.	OVERHAUL ENGINE KIT
C16101-010	.	ENGINEKIT
C16130-010	.	ENGINEKIT
C16131-010	.	ENGINEKIT
C16601-010	.	ENGINE OVERHAUL KIT
C16601-028	.	ENGINE OVERHAUL KIT

Cross Reference:

Manufacturer	OEM Number
CATERPILLAR	154-8083
CATERPILLAR	1548083
CATERPILLAR	217-0578
CATERPILLAR	2170578
CATERPILLAR	328-5573
CATERPILLAR	3285573
CATERPILLAR	334-2670
CATERPILLAR	3342670
CATERPILLAR	9Y7735

Copyright © 2020 PAI Industries, Inc.

All rights reserved. All content is property of PAI Industries, Inc. and may not be reproduced or redistributed in any form.

Any reference to OEM names or OEM product identification numbers/descriptions/model numbers is for identification only and does not indicate that it is an OEM part. PAI is not affiliated with Mack Truck, Inc.®, Volvo®, Fuller®, Cummins®, Eaton®, Rockwell®, Caterpillar®, Freightliner®, Hendrickson®, Kenworth®, Detroit Diesel®, International®, Peterbilt®, or Dana®. All Manufacturer's names, numbers, symbols and descriptions are used for reference only. It is not implied that any part listed is the product of these manufacturers.