

GASKET

EGK-3929



Description: GASKET
SKU: EGK-3929
OEM: 554GB115
Product Group: ENGINE PARTS
Product Class: ENGINE GASKETS, O-RINGS & GASKET SETS
UPC Code: 193807210458
Sell Pack: 2 EA
 (Available to buy in increments of 2)
Weight: 0.39 LBS
Warranty: 2 Years



Details:

Valve Cover Gasket
 Silicone Rubber 80
 Cut to length: 51in total
 Mack E6 / E7 / E-Tech / ASET Engine application

E-Catalog Pages:

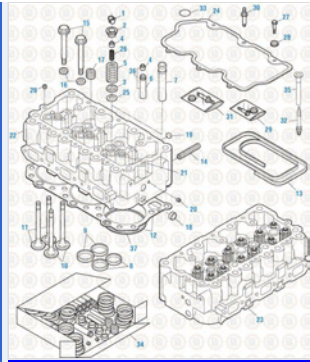
Catalog Page	Description
	<p>PAI Mack & Volvo Applications 2018 E-Tech, ASET - E7 Series</p>

Copyright © 2020 PAI Industries, Inc.
 All rights reserved. All content is property of PAI Industries, Inc, and may not be reproduced or redistributed in any form.

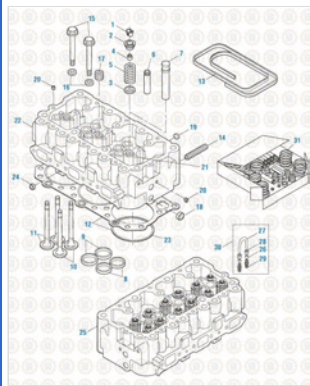
Any reference to OEM names or OEM product identification numbers/descriptions/model numbers is for identification only and does not indicate that it is an OEM part. PAI is not affiliated with Mack Truck, Inc.®, Volvo®, Fuller®, Cummins®, Eaton®, Rockwell®, Caterpillar®, Freightliner®, Hendrickson®, Kenworth®, Detroit Diesel®, International®, Peterbilt®, or Dana®. All Manufacturer's names, numbers, symbols and descriptions are used for reference only. It is not implied that any part listed is the product of these manufacturers.

GASKET

EGK-3929



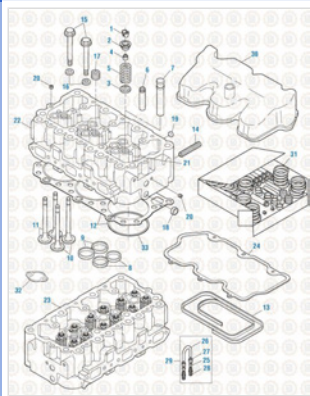
Volvo / Renault Engine Components 2015
Cylinder Head Assembly - E-Tech - Renault / E-Tech



PAI Mack & Volvo Applications 2018
Four Valve Head - E6 Series



PAI Mack & Volvo Applications 2018
Valve Covers - Two and Four Valve Head - E6 Series



PAI Mack & Volvo Applications 2018
E7 - E7 Series

Copyright © 2020 PAI Industries, Inc.
All rights reserved. All content is property of PAI Industries, Inc, and may not be reproduced or redistributed in any form.

Any reference to OEM names or OEM product identification numbers/descriptions/model numbers is for identification only and does not indicate that it is an OEM part. PAI is not affiliated with Mack Truck, Inc.®, Volvo®, Fuller®, Cummins®, Eaton®, Rockwell®, Caterpillar®, Freightliner®, Hendrickson®, Kenworth®, Detroit Diesel®, International®, Peterbilt®, or Dana®. All Manufacturer's names, numbers, symbols and descriptions are used for reference only. It is not implied that any part listed is the product of these manufacturers.

GASKET

EGK-3929

Cross Reference:

Manufacturer	OEM Number
MACK	4103-5010284475
MACK	554GB321
MACK	4559-19841
MACK	554GB214
MACK	554GB115
MACK	554GB213
MACK	554GB215
RENAULT	5010284475

Copyright © 2020 PAI Industries, Inc.

All rights reserved. All content is property of PAI Industries, Inc, and may not be reproduced or redistributed in any form.

Any reference to OEM names or OEM product identification numbers/descriptions/model numbers is for identification only and does not indicate that it is an OEM part. PAI is not affiliated with Mack Truck, Inc.®, Volvo®, Fuller®, Cummins®, Eaton®, Rockwell®, Caterpillar®, Freightliner®, Hendrickson®, Kenworth®, Detroit Diesel®, International®, Peterbilt®, or Dana®. All Manufacturer's names, numbers, symbols and descriptions are used for reference only. It is not implied that any part listed is the product of these manufacturers.