

# GASKET

# EGK-3934



**Description:** GASKET  
**SKU:** EGK-3934  
**OEM:** 573GB257A  
**Product Group:** ENGINE PARTS  
**Product Class:** ENGINE GASKETS, O-RINGS & GASKET SETS  
**UPC Code:** 193807210519  
**Sell Pack:** 6 EA  
 (Available to buy in increments of 6)  
**Weight:** 0.22 LBS  
**Warranty:** 2 Years



**Details:**

Exhaust Manifold Gasket  
 Mack E6 / E7 / ASET with and without EGR Valve setup engine application

**E-Catalog Pages:**

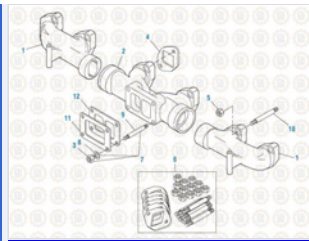
Catalog Page	Description
	<p><b>PAI Mack &amp; Volvo Applications 2018</b>                      Exhaust Manifold - ASET Engine w/ EGR Valve - E7 Series</p>

**Copyright © 2020 PAI Industries, Inc.**  
 All rights reserved. All content is property of PAI Industries, Inc. and may not be reproduced or redistributed in any form.

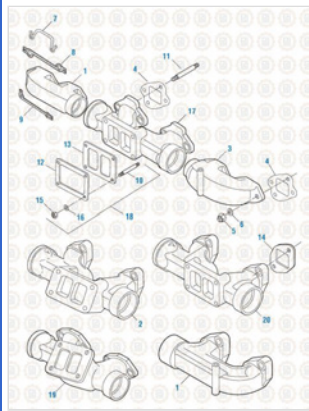
Any reference to OEM names or OEM product identification numbers/descriptions/model numbers is for identification only and does not indicate that it is an OEM part. PAI is not affiliated with Mack Truck, Inc.®, Volvo®, Fuller®, Cummins®, Eaton®, Rockwell®, Caterpillar®, Freightliner®, Hendrickson®, Kenworth®, Detroit Diesel®, International®, Peterbilt®, or Dana®. All Manufacturer's names, numbers, symbols and descriptions are used for reference only. It is not implied that any part listed is the product of these manufacturers.

# GASKET

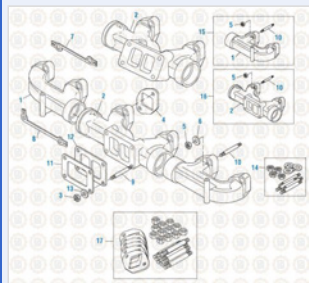
# EGK-3934



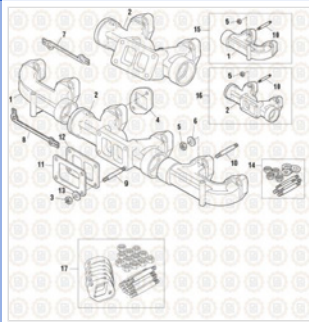
**PAI Mack & Volvo Applications 2018**  
Exhaust Manifolds - ASET Engine w/o EGR Valve - E7 Series



**PAI Mack & Volvo Applications 2018**  
Exhaust Manifold - E6 Series



**PAI Mack & Volvo Applications 2018**  
Exhaust Manifolds  
E7, E-Tech - E7 Series



**Volvo / Renault Engine Components 2015**  
Exhaust Manifold - Renault / E-Tech

**Component Of:**

SKU	Image	Description
<a href="#">EGS-3856-151</a>		INTAKE AND EXHAUST MANIFOLD KIT

Copyright © 2020 PAI Industries, Inc.  
All rights reserved. All content is property of PAI Industries, Inc, and may not be reproduced or redistributed in any form.

Any reference to OEM names or OEM product identification numbers/descriptions/model numbers is for identification only and does not indicate that it is an OEM part. PAI is not affiliated with Mack Truck, Inc.®, Volvo®, Fuller®, Cummins®, Eaton®, Rockwell®, Caterpillar®, Freightliner®, Hendrickson®, Kenworth®, Detroit Diesel®, International®, Peterbilt®, or Dana®. All Manufacturer's names, numbers, symbols and descriptions are used for reference only. It is not implied that any part listed is the product of these manufacturers.

## GASKET

## EGK-3934

[831016](#)

EXHAUST MANIFOLD KIT

## Cross Reference:

Manufacturer	OEM Number
MACK	573GB326M
MACK	21254556
MACK	25106315
MACK	21254566
MACK	20705941
MACK	4103-5010284657
MACK	573GB257A
MACK	573GB257
RENAULT	5010284657
VOLVO	21254566

Copyright © 2020 PAI Industries, Inc.

All rights reserved. All content is property of PAI Industries, Inc, and may not be reproduced or redistributed in any form.

Any reference to OEM names or OEM product identification numbers/descriptions/model numbers is for identification only and does not indicate that it is an OEM part. PAI is not affiliated with Mack Truck, Inc.®, Volvo®, Fuller®, Cummins®, Eaton®, Rockwell®, Caterpillar®, Freightliner®, Hendrickson®, Kenworth®, Detroit Diesel®, International®, Peterbilt®, or Dana®. All Manufacturer's names, numbers, symbols and descriptions are used for reference only. It is not implied that any part listed is the product of these manufacturers.