

LINER KIT

400025



Description:	LINER KIT
SKU:	400025
OEM:	1842553C91
Product Group:	ENGINE PARTS
Product Class:	CYLINDER LINERS (SLEEVES)
UPC Code:	193807122188
Sell Pack:	1 EA
Weight:	9.21 LBS
Package Dimensions (LxWxH):	6 x 6 x 11 inches
Warranty:	2 Years

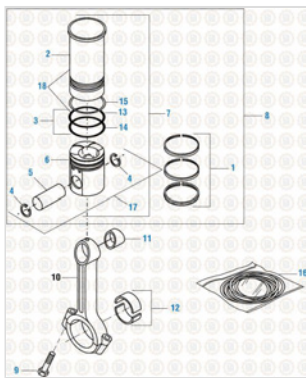
Details:

Liner Kit
International 530 application

E-Catalog Pages:

Catalog Page

Description



International Engine 2019
One Piece Piston - DT-466 / DT-530 (1993-1997 PLN)

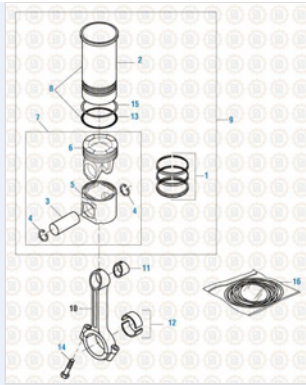
Copyright © 2020 PAI Industries, Inc.

All rights reserved. All content is property of PAI Industries, Inc. and may not be reproduced or redistributed in any form.

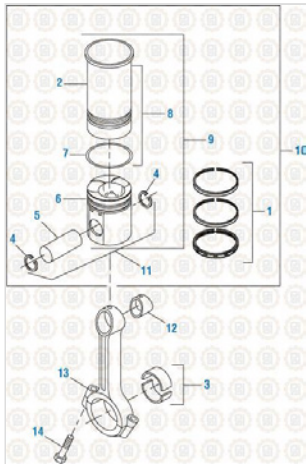
Any reference to OEM names or OEM product identification numbers/descriptions/model numbers is for identification only and does not indicate that it is an OEM part. PAI is not affiliated with Mack Truck, Inc.®, Volvo®, Fuller®, Cummins®, Eaton®, Rockwell®, Caterpillar®, Freightliner®, Hendrickson®, Kenworth®, Detroit Diesel®, International®, Peterbilt®, or Dana®. All Manufacturer's names, numbers, symbols and descriptions are used for reference only. It is not implied that any part listed is the product of these manufacturers.

LINER KIT

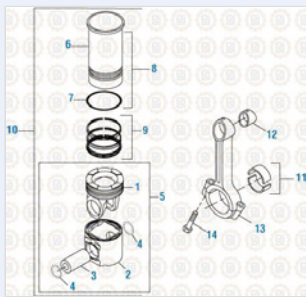
400025



International Engine 2019
Two Piece Piston - DT-466 / DT-530 (1993-1997 PLN)



International Engine 2019
One Piece Piston - DT-466E / DT-530E (2000-2003)



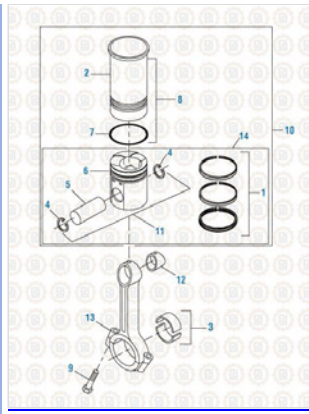
International Engine 2019
Two Piece Piston - DT-466E / DT-530E (2000-2003)

Copyright © 2020 PAI Industries, Inc.
All rights reserved. All content is property of PAI Industries, Inc. and may not be reproduced or redistributed in any form.

Any reference to OEM names or OEM product identification numbers/descriptions/model numbers is for identification only and does not indicate that it is an OEM part. PAI is not affiliated with Mack Truck, Inc.®, Volvo®, Fuller®, Cummins®, Eaton®, Rockwell®, Caterpillar®, Freightliner®, Hendrickson®, Kenworth®, Detroit Diesel®, International®, Peterbilt®, or Dana®. All Manufacturer's names, numbers, symbols and descriptions are used for reference only. It is not implied that any part listed is the product of these manufacturers.

LINER KIT


400025



International Engine 2019

Pistons, Cylinder Kits, Rod Bearings and Ring Sets - DT-466E / DT-570 (2004 & Up)

Consists Of:				
SKU	OEM	Image	Description	Quantity
400003	1841326C1		CYLINDER LINER	1
421213	1842115C1		RECTANGULAR SEALING RING	1

Component Of:		
SKU	Image	Description
401025		CYLINDER KIT
401025HP	-	CYLINDER KIT
401026R	-	CYLINDER KIT
401027	-	CYLINDER KIT
401028HP	-	HIGH PERFORMANCE CYLINDER Kit
401028R	-	CYLINDER KIT

Copyright © 2020 PAI Industries, Inc.
 All rights reserved. All content is property of PAI Industries, Inc. and may not be reproduced or redistributed in any form.

Any reference to OEM names or OEM product identification numbers/descriptions/model numbers is for identification only and does not indicate that it is an OEM part. PAI is not affiliated with Mack Truck, Inc.®, Volvo®, Fuller®, Cummins®, Eaton®, Rockwell®, Caterpillar®, Freightliner®, Hendrickson®, Kenworth®, Detroit Diesel®, International®, Peterbilt®, or Dana®. All Manufacturer's names, numbers, symbols and descriptions are used for reference only. It is not implied that any part listed is the product of these manufacturers.

LINER KIT

400025

[401032](#)



CYLINDER KIT

[401032R](#)

CYLINDER KIT

[401034](#)

CYLINDER KIT

[401034HP](#)

HIGH PERFORMANCE CYLINDER KIT

[401038](#)



CYLINDER KIT

[401040](#)



CYLINDER KIT

[401040R](#)

CYLINDER KIT

[401041](#)



CYLINDER KIT W/ RINGS

[401042](#)



CYLINDER KIT

[401043](#)



CYLINDER KIT

Copyright © 2020 PAI Industries, Inc.
 All rights reserved. All content is property of PAI Industries, Inc. and may not be reproduced or redistributed in any form.

Any reference to OEM names or OEM product identification numbers/descriptions/model numbers is for identification only and does not indicate that it is an OEM part. PAI is not affiliated with Mack Truck, Inc.®, Volvo®, Fuller®, Cummins®, Eaton®, Rockwell®, Caterpillar®, Freightliner®, Hendrickson®, Kenworth®, Detroit Diesel®, International®, Peterbilt®, or Dana®. All Manufacturer's names, numbers, symbols and descriptions are used for reference only. It is not implied that any part listed is the product of these manufacturers.

LINER KIT

400025

[401044](#)



CYLINDER KIT

[401044R](#)

CYLINDER KIT

[401045](#)



CYLINDER KIT

[401045R](#)

CYLINDER KIT

[401046](#)



CYLINDER KIT W/ RINGS

[401046R](#)

CYLINDER KIT

[401047](#)

CYLINDER KIT

[401049](#)



CYLINDER KIT

[401050](#)

CYLINDER KIT

[401052](#)

CYLINDER KIT

[401053](#)

CYLINDER KIT

[401074](#)



CYLINDER KIT

[401074HP](#)

HIGH PERFORMANCE CYLINDER KIT

Cross Reference:

Manufacturer	OEM Number
MACK	4333-1842553C91

Copyright © 2020 PAI Industries, Inc.
 All rights reserved. All content is property of PAI Industries, Inc. and may not be reproduced or redistributed in any form.

Any reference to OEM names or OEM product identification numbers/descriptions/model numbers is for identification only and does not indicate that it is an OEM part. PAI is not affiliated with Mack Truck, Inc.®, Volvo®, Fuller®, Cummins®, Eaton®, Rockwell®, Caterpillar®, Freightliner®, Hendrickson®, Kenworth®, Detroit Diesel®, International®, Peterbilt®, or Dana®. All Manufacturer's names, numbers, symbols and descriptions are used for reference only. It is not implied that any part listed is the product of these manufacturers.

LINER KIT

400025

NAVISTAR	1842553
NAVISTAR	1842553C91
NAVISTAR	1887711
NAVISTAR	1887711C91
NAVISTAR	1888650
NAVISTAR	1888650C91
NAVISTAR	1888652
NAVISTAR	1888652C91

Copyright © 2020 PAI Industries, Inc.

All rights reserved. All content is property of PAI Industries, Inc. and may not be reproduced or redistributed in any form.

Any reference to OEM names or OEM product identification numbers/descriptions/model numbers is for identification only and does not indicate that it is an OEM part. PAI is not affiliated with Mack Truck, Inc.®, Volvo®, Fuller®, Cummins®, Eaton®, Rockwell®, Caterpillar®, Freightliner®, Hendrickson®, Kenworth®, Detroit Diesel®, International®, Peterbilt®, or Dana®. All Manufacturer's names, numbers, symbols and descriptions are used for reference only. It is not implied that any part listed is the product of these manufacturers.