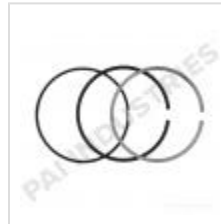


RING SET

405024



Description: RING SET
SKU: 405024
OEM: 1830723C92
Product Group: ENGINE PARTS
Product Class: PISTON RINGS
UPC Code: 193807155773
Sell Pack: 1 EA
Weight: 0.26 LBS
Warranty: 2 Years



Details:
 Ring set
 Year: 1993-1997 International DT 466 / DT 530
 Year: 1993-2003 International DT 466E / DT 530E applicatoin

Substitute:

SKU	Sell Pack	Weight	Warranty	Description
405024E	1	0.26 LBS	1 Year	RING SET

E-Catalog Pages:

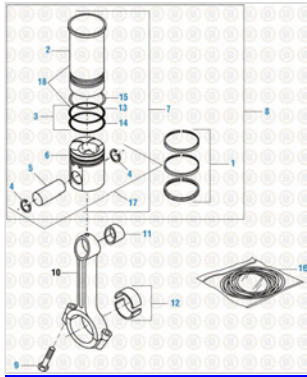
Catalog Page	Description

Copyright © 2020 PAI Industries, Inc.
 All rights reserved. All content is property of PAI Industries, Inc, and may not be reproduced or redistributed in any form.

Any reference to OEM names or OEM product identification numbers/descriptions/model numbers is for identification only and does not indicate that it is an OEM part. PAI is not affiliated with Mack Truck, Inc.®, Volvo®, Fuller®, Cummins®, Eaton®, Rockwell®, Caterpillar®, Freightliner®, Hendrickson®, Kenworth®, Detroit Diesel®, International®, Peterbilt®, or Dana®. All Manufacturer's names, numbers, symbols and descriptions are used for reference only. It is not implied that any part listed is the product of these manufacturers.

RING SET

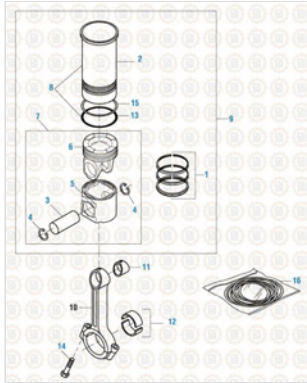
405024



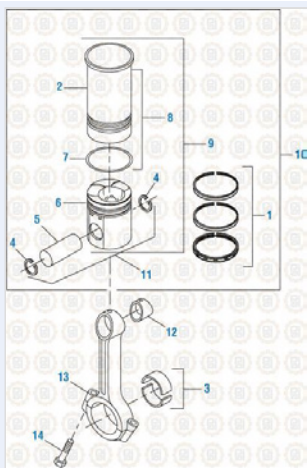
International Engine 2019
One Piece Piston - DT-466 / DT-530 (1993-1997 PLN)



International Engine 2019
Rebuild Kit Breakdown - DT-466 / DT-530 (1993-1997 PLN)



International Engine 2019
Two Piece Piston - DT-466 / DT-530 (1993-1997 PLN)



International Engine 2019
One Piece Piston - DT-466E / DT-530E (2000-2003)

Copyright © 2020 PAI Industries, Inc.
All rights reserved. All content is property of PAI Industries, Inc, and may not be reproduced or redistributed in any form.

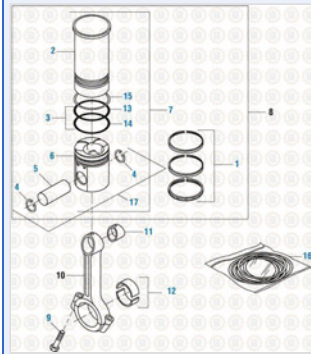
Any reference to OEM names or OEM product identification numbers/descriptions/model numbers is for identification only and does not indicate that it is an OEM part. PAI is not affiliated with Mack Truck, Inc.®, Volvo®, Fuller®, Cummins®, Eaton®, Rockwell®, Caterpillar®, Freightliner®, Hendrickson®, Kenworth®, Detroit Diesel®, International®, Peterbilt®, or Dana®. All Manufacturer's names, numbers, symbols and descriptions are used for reference only. It is not implied that any part listed is the product of these manufacturers.

RING SET

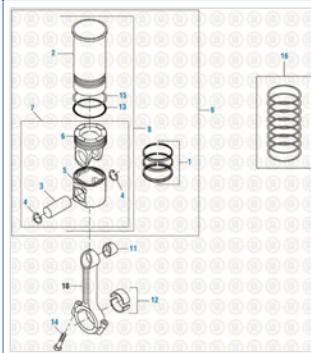
405024



International Engine 2019
 Rebuild Kit Breakdown - DT-466E / DT-530E (2000-2003)



International Engine 2019
 One Piece Piston - DT-466E / DT-530E (1993-1999 HEUI)



International Engine 2019
 Two Piece Piston - DT-466E / DT-530E (1993-1999 HEUI)

Consists Of:

SKU	OEM	Image	Description	Quantity
405026	1817586C1		TOP PISTON RING	1

Copyright © 2020 PAI Industries, Inc.
 All rights reserved. All content is property of PAI Industries, Inc. and may not be reproduced or redistributed in any form.

Any reference to OEM names or OEM product identification numbers/descriptions/model numbers is for identification only and does not indicate that it is an OEM part. PAI is not affiliated with Mack Truck, Inc.®, Volvo®, Fuller®, Cummins®, Eaton®, Rockwell®, Caterpillar®, Freightliner®, Hendrickson®, Kenworth®, Detroit Diesel®, International®, Peterbilt®, or Dana®. All Manufacturer's names, numbers, symbols and descriptions are used for reference only. It is not implied that any part listed is the product of these manufacturers.

RING SET

405024

405029	1817587C1		INTERMEDIATE PISTON RING	1
405028	1830595C1		OIL CONTROL RING	1
1107	N/A		SHEET,INST.RING-SET	1
1274	G		RING SET BLANKET STATEMENT	1




Component Of:		
SKU	Image	Description
401028		CYLINDER KIT
401028R		CYLINDER KIT
401032		CYLINDER KIT
401032R		CYLINDER KIT
401036		CYLINDER KIT
401036R		CYLINDER KIT

Copyright © 2020 PAI Industries, Inc.
 All rights reserved. All content is property of PAI Industries, Inc. and may not be reproduced or redistributed in any form.

Any reference to OEM names or OEM product identification numbers/descriptions/model numbers is for identification only and does not indicate that it is an OEM part. PAI is not affiliated with Mack Truck, Inc.®, Volvo®, Fuller®, Cummins®, Eaton®, Rockwell®, Caterpillar®, Freightliner®, Hendrickson®, Kenworth®, Detroit Diesel®, International®, Peterbilt®, or Dana®. All Manufacturer's names, numbers, symbols and descriptions are used for reference only. It is not implied that any part listed is the product of these manufacturers.

RING SET

405024

401040		CYLINDER KIT
401040R		CYLINDER KIT
401043		CYLINDER KIT
401046		CYLINDER KIT W/ RINGS
401046R		CYLINDER KIT

Cross Reference:	
Manufacturer	OEM Number
MACK	4333-1830723C92
NAVISTAR	1822337
NAVISTAR	1822337C91
NAVISTAR	1830723
NAVISTAR	1830723C90
NAVISTAR	1830723C91
NAVISTAR	1830723C92

Copyright © 2020 PAI Industries, Inc.
 All rights reserved. All content is property of PAI Industries, Inc, and may not be reproduced or redistributed in any form.

Any reference to OEM names or OEM product identification numbers/descriptions/model numbers is for identification only and does not indicate that it is an OEM part. PAI is not affiliated with Mack Truck, Inc.®, Volvo®, Fuller®, Cummins®, Eaton®, Rockwell®, Caterpillar®, Freightliner®, Hendrickson®, Kenworth®, Detroit Diesel®, International®, Peterbilt®, or Dana®. All Manufacturer's names, numbers, symbols and descriptions are used for reference only. It is not implied that any part listed is the product of these manufacturers.