

O-RING

421217



Description: O-RING
SKU: 421217
OEM: 1814695C1
Product Group: ENGINE PARTS
Product Class: MISCELLANEOUS INJECTION PARTS
UPC Code: 193807009458
Sell Pack: 10 EA
 (Available to buy in increments of 10)
Weight: 0.04 LBS
Warranty: 2 Years



Details:

O-Ring, 0.139 in C/S x 0.921 in ID
 3.53 mm C/S x 23.39 mm ID, Viton 90, Teflon Coat Series # -213

E-Catalog Pages:

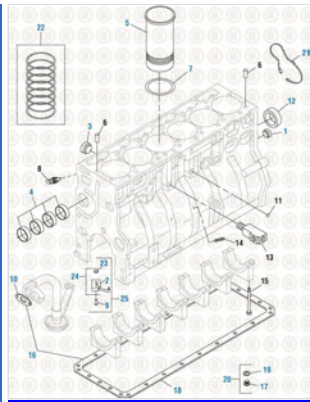
Catalog Page	Description
	O-Rings AS568A
	International Engine 2019 Cylinder Head Components - DT-466E / DT-530E (2000-2003)

Copyright © 2020 PAI Industries, Inc.
 All rights reserved. All content is property of PAI Industries, Inc. and may not be reproduced or redistributed in any form.

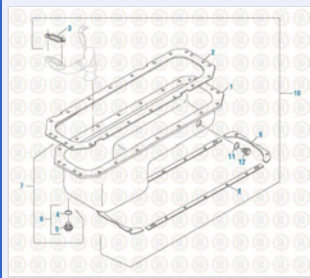
Any reference to OEM names or OEM product identification numbers/descriptions/model numbers is for identification only and does not indicate that it is an OEM part. PAI is not affiliated with Mack Truck, Inc.®, Volvo®, Fuller®, Cummins®, Eaton®, Rockwell®, Caterpillar®, Freightliner®, Hendrickson®, Kenworth®, Detroit Diesel®, International®, Peterbilt®, or Dana®. All Manufacturer's names, numbers, symbols and descriptions are used for reference only. It is not implied that any part listed is the product of these manufacturers.

O-RING

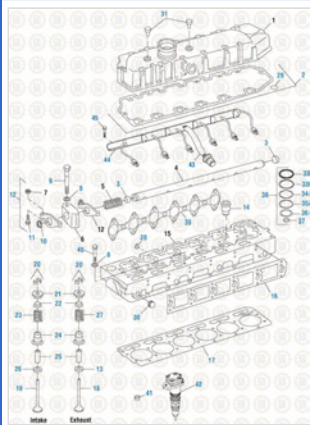
421217



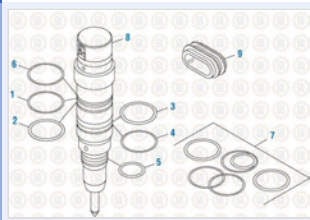
International Engine 2019
Cylinder Block Components - DT-466E / DT-570 (2004 & Up)



International Engine 2019
Oil Pan - DT-466E / DT-570 (2004 & Up)



International Engine 2019
Cylinder Head Components - DT-466E / DT-530E (1993-1999 HEUI)



Caterpillar Engine 2019
Fuel Injection Components - 3100 / C7 Series

Component Of:

SKU	Image	Description

Copyright © 2020 PAI Industries, Inc.
All rights reserved. All content is property of PAI Industries, Inc, and may not be reproduced or redistributed in any form.

Any reference to OEM names or OEM product identification numbers/descriptions/model numbers is for identification only and does not indicate that it is an OEM part. PAI is not affiliated with Mack Truck, Inc.®, Volvo®, Fuller®, Cummins®, Eaton®, Rockwell®, Caterpillar®, Freightliner®, Hendrickson®, Kenworth®, Detroit Diesel®, International®, Peterbilt®, or Dana®. All Manufacturer's names, numbers, symbols and descriptions are used for reference only. It is not implied that any part listed is the product of these manufacturers.

O-RING

421217

[321336](#)

O-RING KIT

[321348](#)

O-RING

[321475](#)

INJECTOR O-RING

[631276-155](#)

FUEL PUMP INSTALLATION KIT

[631315-154](#)

FUEL SYSTEM SEAL KIT

[631316-155](#)

FUEL PUMP INSTALLATION KIT

[681126](#)

EXHAUST MANIFOLD KIT

[421220](#)

INJECTOR SEAL AND RING KIT

[421222](#)

INJECTOR SEAL & RING KIT

[431317](#)

FRONT COVER GASKET KIT

[431332](#)

GASKET KIT

Copyright © 2020 PAI Industries, Inc.

All rights reserved. All content is property of PAI Industries, Inc. and may not be reproduced or redistributed in any form.

Any reference to OEM names or OEM product identification numbers/descriptions/model numbers is for identification only and does not indicate that it is an OEM part. PAI is not affiliated with Mack Truck, Inc.®, Volvo®, Fuller®, Cummins®, Eaton®, Rockwell®, Caterpillar®, Freightliner®, Hendrickson®, Kenworth®, Detroit Diesel®, International®, Peterbilt®, or Dana®. All Manufacturer's names, numbers, symbols and descriptions are used for reference only. It is not implied that any part listed is the product of these manufacturers.

O-RING

421217

[431337](#)

GASKET/SEAL KIT

[442033](#)

DRAIN PLUG KIT

Cross Reference:

Manufacturer	OEM Number
CATERPILLAR	109-3207
CATERPILLAR	1093207
CATERPILLAR	2730302
MACK	4333-1814695C1
NAVISTAR	1814695
NAVISTAR	1814695C1
DETROIT DIESEL	23532326
CATERPILLAR	273-0302

Copyright © 2020 PAI Industries, Inc.

All rights reserved. All content is property of PAI Industries, Inc. and may not be reproduced or redistributed in any form.

Any reference to OEM names or OEM product identification numbers/descriptions/model numbers is for identification only and does not indicate that it is an OEM part. PAI is not affiliated with Mack Truck, Inc.®, Volvo®, Fuller®, Cummins®, Eaton®, Rockwell®, Caterpillar®, Freightliner®, Hendrickson®, Kenworth®, Detroit Diesel®, International®, Peterbilt®, or Dana®. All Manufacturer's names, numbers, symbols and descriptions are used for reference only. It is not implied that any part listed is the product of these manufacturers.