

EXHAUST GASKET

431250



Description: EXHAUST GASKET
SKU: 431250
OEM: 1825436C1
Product Group: ENGINE PARTS
Product Class: ENGINE GASKETS, O-RINGS & GASKET SETS
UPC Code: 193807057459
Sell Pack: 1 EA
Weight: 0.55 LBS
Warranty: 2 Years



Details:

Exhaust Gasket
 Round Port
 Year: 1993-2003 International DT408/DT466/DT530E HEUI/DT466E HEUI Engines application

E-Catalog Pages:

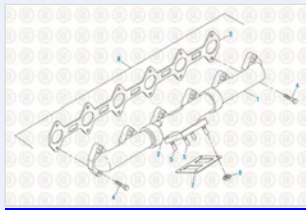
Catalog Page	Description
	<p>International Engine 2019 Cylinder Head Components - DT-466 / DT-530 (1993-1997 PLN)</p>

Copyright © 2020 PAI Industries, Inc.
 All rights reserved. All content is property of PAI Industries, Inc. and may not be reproduced or redistributed in any form.

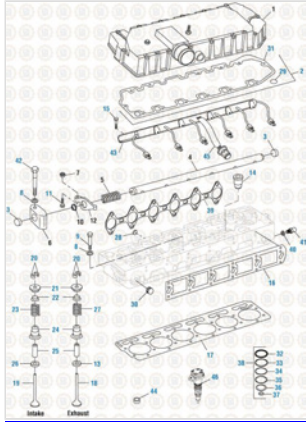
Any reference to OEM names or OEM product identification numbers/descriptions/model numbers is for identification only and does not indicate that it is an OEM part. PAI is not affiliated with Mack Truck, Inc.®, Volvo®, Fuller®, Cummins®, Eaton®, Rockwell®, Caterpillar®, Freightliner®, Hendrickson®, Kenworth®, Detroit Diesel®, International®, Peterbilt®, or Dana®. All Manufacturer's names, numbers, symbols and descriptions are used for reference only. It is not implied that any part listed is the product of these manufacturers.

EXHAUST GASKET

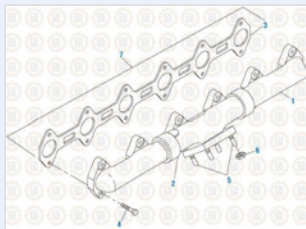
431250



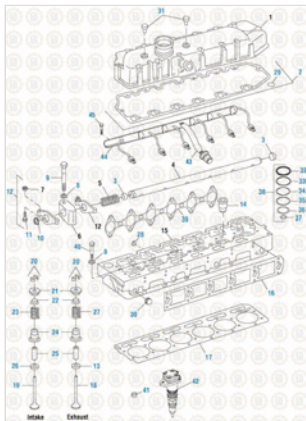
International Engine 2019
Exhaust Manifold - DT-466 / DT-530 (1993-1997 PLN)



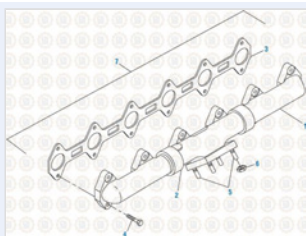
International Engine 2019
Cylinder Head Components - DT-466E / DT-530E (2000-2003)



International Engine 2019
Exhaust Manifold - DT-466E / DT-530E (2000-2003)



International Engine 2019
Cylinder Head Components - DT-466E / DT-530E (1993-1999 HEUI)



International Engine 2019
Exhaust Manifold - DT-466E / DT-530E (1993-1999 HEUI)

Copyright © 2020 PAI Industries, Inc.
All rights reserved. All content is property of PAI Industries, Inc, and may not be reproduced or redistributed in any form.

Any reference to OEM names or OEM product identification numbers/descriptions/model numbers is for identification only and does not indicate that it is an OEM part. PAI is not affiliated with Mack Truck, Inc.®, Volvo®, Fuller®, Cummins®, Eaton®, Rockwell®, Caterpillar®, Freightliner®, Hendrickson®, Kenworth®, Detroit Diesel®, International®, Peterbilt®, or Dana®. All Manufacturer's names, numbers, symbols and descriptions are used for reference only. It is not implied that any part listed is the product of these manufacturers.

EXHAUST GASKET

431250

Component Of:

SKU	Image	Description
431274-151		INTAKE AND EXHAUST GASKET SET
431335		UPPER GASKET SET

Cross Reference:

Manufacturer	OEM Number
MACK	4333-1814752C1
MACK	4333-1825436C1
NAVISTAR	1814752
NAVISTAR	1814752C1
NAVISTAR	1825436
NAVISTAR	1825436C1

Copyright © 2020 PAI Industries, Inc.

All rights reserved. All content is property of PAI Industries, Inc, and may not be reproduced or redistributed in any form.

Any reference to OEM names or OEM product identification numbers/descriptions/model numbers is for identification only and does not indicate that it is an OEM part. PAI is not affiliated with Mack Truck, Inc.®, Volvo®, Fuller®, Cummins®, Eaton®, Rockwell®, Caterpillar®, Freightliner®, Hendrickson®, Kenworth®, Detroit Diesel®, International®, Peterbilt®, or Dana®. All Manufacturer's names, numbers, symbols and descriptions are used for reference only. It is not implied that any part listed is the product of these manufacturers.