

OIL PAN GASKET

431252



Description:	OIL PAN GASKET
SKU:	431252
OEM:	1826587C1
Product Group:	ENGINE PARTS
Product Class:	ENGINE GASKETS, O-RINGS & GASKET SETS
UPC Code:	193807057480
Sell Pack:	5 EA (Available to buy in increments of 5)
Weight:	2.50 LBS
Package Dimensions (LxWxH):	28 x 44 x 1 inches
Warranty:	2 Years



Details:

Oil Pan Gasket
 Year: 1993-2003 International DT408/DT466/DT530E HEUI/DT466E HEUI Engines application

E-Catalog Pages:

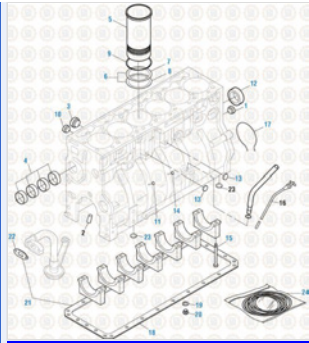
Catalog Page	Description
	<p>International Engine 2019 Oil Pan - DT-466 / DT-530 (1993-1997 PLN)</p>

Copyright © 2020 PAI Industries, Inc.
 All rights reserved. All content is property of PAI Industries, Inc, and may not be reproduced or redistributed in any form.

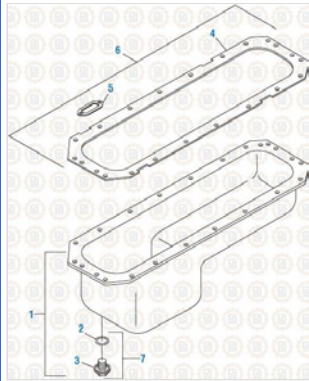
Any reference to OEM names or OEM product identification numbers/descriptions/model numbers is for identification only and does not indicate that it is an OEM part. PAI is not affiliated with Mack Truck, Inc.®, Volvo®, Fuller®, Cummins®, Eaton®, Rockwell®, Caterpillar®, Freightliner®, Hendrickson®, Kenworth®, Detroit Diesel®, International®, Peterbilt®, or Dana®. All Manufacturer's names, numbers, symbols and descriptions are used for reference only. It is not implied that any part listed is the product of these manufacturers.

OIL PAN GASKET

431252



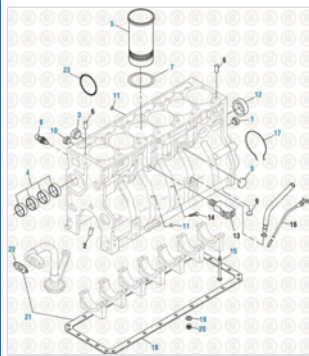
International Engine 2019
Cylinder Block Components - DT-466 / DT-530 (1993-1997 PLN)



International Engine 2019
Oil Pan - DT-466E / DT-530E (2000-2003)



International Engine 2019
Rebuild Kit Breakdown - DT-466E / DT-530E (2000-2003)



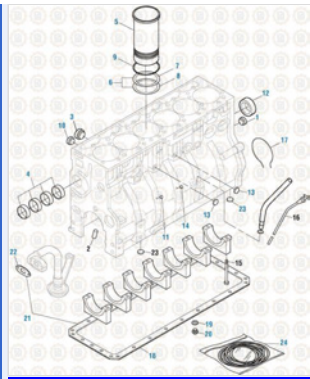
International Engine 2019
Cylinder Block Components - DT-466E / DT-530E (2000-2003)

Copyright © 2020 PAI Industries, Inc.
All rights reserved. All content is property of PAI Industries, Inc. and may not be reproduced or redistributed in any form.

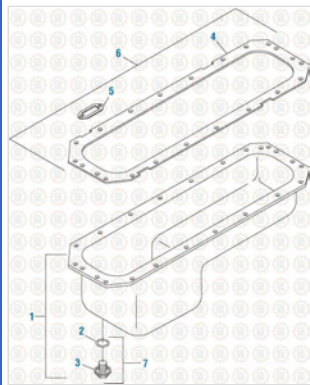
Any reference to OEM names or OEM product identification numbers/descriptions/model numbers is for identification only and does not indicate that it is an OEM part. PAI is not affiliated with Mack Truck, Inc.®, Volvo®, Fuller®, Cummins®, Eaton®, Rockwell®, Caterpillar®, Freightliner®, Hendrickson®, Kenworth®, Detroit Diesel®, International®, Peterbilt®, or Dana®. All Manufacturer's names, numbers, symbols and descriptions are used for reference only. It is not implied that any part listed is the product of these manufacturers.

OIL PAN GASKET

431252



International Engine 2019
Cylinder Block Components - DT-466E / DT-530E (1993-1999 HEUI)



International Engine 2019
Oil Pan - DT-466E / DT-530E (1993-1999 HEUI)

Heavy Duty Oil Pans and Gaskets
Oil Pan Gasket

Component Of:

SKU	Image	Description
431273		BLOCK ACCESSORY GASKET KIT
431277		OIL PAN GASKET

Cross Reference:

Manufacturer	OEM Number

Copyright © 2020 PAI Industries, Inc.
All rights reserved. All content is property of PAI Industries, Inc. and may not be reproduced or redistributed in any form.

Any reference to OEM names or OEM product identification numbers/descriptions/model numbers is for identification only and does not indicate that it is an OEM part. PAI is not affiliated with Mack Truck, Inc.®, Volvo®, Fuller®, Cummins®, Eaton®, Rockwell®, Caterpillar®, Freightliner®, Hendrickson®, Kenworth®, Detroit Diesel®, International®, Peterbilt®, or Dana®. All Manufacturer's names, numbers, symbols and descriptions are used for reference only. It is not implied that any part listed is the product of these manufacturers.

OIL PAN GASKET

431252

MACK	4333-1822049C1
MACK	4333-1826587C1
NAVISTAR	1822049
NAVISTAR	1822049C1
NAVISTAR	1826587
NAVISTAR	1826587C1

Copyright © 2020 PAI Industries, Inc.

All rights reserved. All content is property of PAI Industries, Inc, and may not be reproduced or redistributed in any form.

Any reference to OEM names or OEM product identification numbers/descriptions/model numbers is for identification only and does not indicate that it is an OEM part. PAI is not affiliated with Mack Truck, Inc.®, Volvo®, Fuller®, Cummins®, Eaton®, Rockwell®, Caterpillar®, Freightliner®, Hendrickson®, Kenworth®, Detroit Diesel®, International®, Peterbilt®, or Dana®. All Manufacturer's names, numbers, symbols and descriptions are used for reference only. It is not implied that any part listed is the product of these manufacturers.