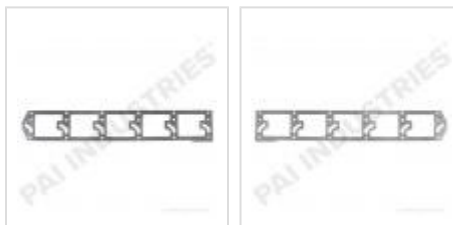


# FUEL/OIL MANIFOLD GASKET

431257



**Description:** FUEL/OIL MANIFOLD GASKET  
**SKU:** 431257  
**OEM:** 1822577C1  
**Product Group:** ENGINE PARTS  
**Product Class:** ENGINE GASKETS, O-RINGS & GASKET SETS  
**UPC Code:** 193807057541  
**Sell Pack:** 1 EA  
**Weight:** 0.65 LBS  
**Warranty:** 2 Years



**Details:**

Fuel/Oil Manifold GASKET  
 DT-466E 1993-2003, 530E 1993-2003 APPLICATION

**E-Catalog Pages:**

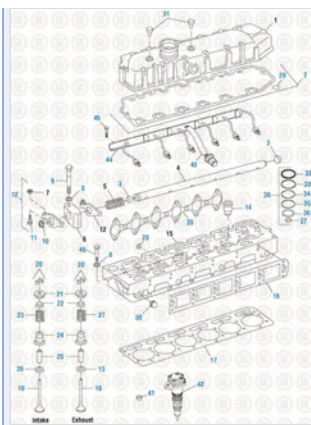
Catalog Page	Description
	<p><b>International Engine 2019</b>                      Cylinder Head Components - DT-466E / DT-530E (2000-2003)</p>

**Copyright © 2020 PAI Industries, Inc.**  
 All rights reserved. All content is property of PAI Industries, Inc, and may not be reproduced or redistributed in any form.

Any reference to OEM names or OEM product identification numbers/descriptions/model numbers is for identification only and does not indicate that it is an OEM part. PAI is not affiliated with Mack Truck, Inc.®, Volvo®, Fuller®, Cummins®, Eaton®, Rockwell®, Caterpillar®, Freightliner®, Hendrickson®, Kenworth®, Detroit Diesel®, International®, Peterbilt®, or Dana®. All Manufacturer's names, numbers, symbols and descriptions are used for reference only. It is not implied that any part listed is the product of these manufacturers.

# FUEL/OIL MANIFOLD GASKET

431257



**International Engine 2019**  
Cylinder Head Components - DT-466E / DT-530E (1993-1999 HEUI)

**Component Of:**

SKU	Image	Description
<a href="#">431274-151</a>		INTAKE AND EXHAUST GASKET SET
<a href="#">431335</a>		UPPER GASKET SET

**Cross Reference:**

Manufacturer	OEM Number
MACK	4333-1822577C1
NAVISTAR	1822577
NAVISTAR	1822577C1

Copyright © 2020 PAI Industries, Inc.  
All rights reserved. All content is property of PAI Industries, Inc, and may not be reproduced or redistributed in any form.

Any reference to OEM names or OEM product identification numbers/descriptions/model numbers is for identification only and does not indicate that it is an OEM part. PAI is not affiliated with Mack Truck, Inc.®, Volvo®, Fuller®, Cummins®, Eaton®, Rockwell®, Caterpillar®, Freightliner®, Hendrickson®, Kenworth®, Detroit Diesel®, International®, Peterbilt®, or Dana®. All Manufacturer's names, numbers, symbols and descriptions are used for reference only. It is not implied that any part listed is the product of these manufacturers.