

# REAR SEAL GASKET

431272



**Description:** REAR SEAL GASKET  
**SKU:** 431272  
**OEM:** 1841974C1  
**Product Group:** ENGINE PARTS  
**Product Class:** ENGINE GASKETS, O-RINGS & GASKET SETS  
**UPC Code:** 193807057725  
**Sell Pack:** 1 EA  
**Weight:** 0.03 LBS  
**Warranty:** 2 Years



**Details:**

Rear Seal Gasket  
 Year: 1993-2003 DT408/DT466/DT466E HEUI/DT530E HEUI Engines application

**E-Catalog Pages:**

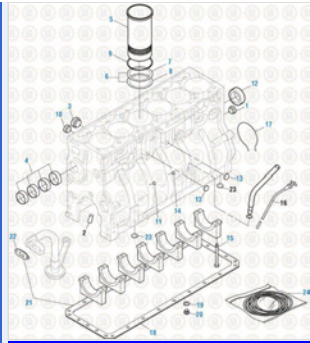
Catalog Page	Description
	<p><b>International Engine 2019</b>                      Crankshaft - DT-466 / DT-530 (1993-1997 PLN)</p>

Copyright © 2020 PAI Industries, Inc.  
 All rights reserved. All content is property of PAI Industries, Inc, and may not be reproduced or redistributed in any form.

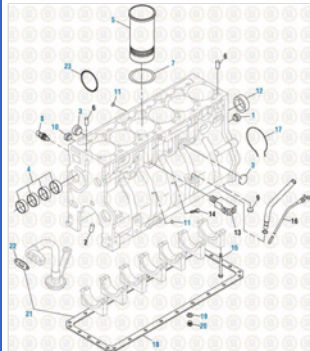
Any reference to OEM names or OEM product identification numbers/descriptions/model numbers is for identification only and does not indicate that it is an OEM part. PAI is not affiliated with Mack Truck, Inc., Volvo®, Fuller®, Cummins®, Eaton®, Rockwell®, Caterpillar®, Freightliner®, Hendrickson®, Kenworth®, Detroit Diesel®, International®, Peterbilt®, or Dana®. All Manufacturer's names, numbers, symbols and descriptions are used for reference only. It is not implied that any part listed is the product of these manufacturers.

## REAR SEAL GASKET

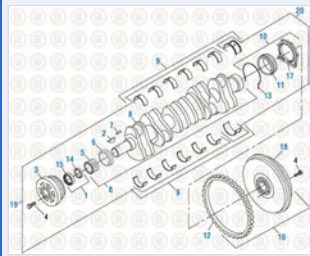
431272



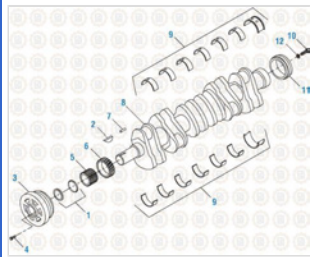
**International Engine 2019**  
Cylinder Block Components - DT-466 / DT-530 (1993-1997 PLN)



**International Engine 2019**  
Cylinder Block Components - DT-466E / DT-530E (2000-2003)



**International Engine 2019**  
Crankshaft - DT-466E / DT-530E (2000-2003)



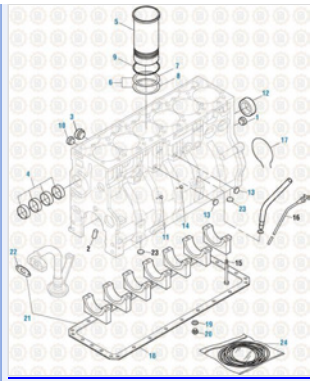
**International Engine 2019**  
Crankshaft - DT-466E / DT-530E (1993-1999 HEUI)

Copyright © 2020 PAI Industries, Inc.  
All rights reserved. All content is property of PAI Industries, Inc, and may not be reproduced or redistributed in any form.

Any reference to OEM names or OEM product identification numbers/descriptions/model numbers is for identification only and does not indicate that it is an OEM part. PAI is not affiliated with Mack Truck, Inc.®, Volvo®, Fuller®, Cummins®, Eaton®, Rockwell®, Caterpillar®, Freightliner®, Hendrickson®, Kenworth®, Detroit Diesel®, International®, Peterbilt®, or Dana®. All Manufacturer's names, numbers, symbols and descriptions are used for reference only. It is not implied that any part listed is the product of these manufacturers.

# REAR SEAL GASKET

# 431272



**International Engine 2019**  
 Cylinder Block Components - DT-466E / DT-530E (1993-1999 HEUI)

**Component Of:**

SKU	Image	Description
<a href="#">431273</a>		BLOCK ACCESSORY GASKET KIT
<a href="#">431275</a>		LOWER GASKET KIT
<a href="#">441451</a>		CRANKSHAFT SEAL KIT

**Cross Reference:**

Manufacturer	OEM Number
MACK	4333-1824911C1
MACK	4333-1841974C1
NAVISTAR	1841974
NAVISTAR	1841974C1
NAVISTAR	1824911C1
NAVISTAR	1824911

Copyright © 2020 PAI Industries, Inc.  
 All rights reserved. All content is property of PAI Industries, Inc. and may not be reproduced or redistributed in any form.

Any reference to OEM names or OEM product identification numbers/descriptions/model numbers is for identification only and does not indicate that it is an OEM part. PAI is not affiliated with Mack Truck, Inc.®, Volvo®, Fuller®, Cummins®, Eaton®, Rockwell®, Caterpillar®, Freightliner®, Hendrickson®, Kenworth®, Detroit Diesel®, International®, Peterbilt®, or Dana®. All Manufacturer's names, numbers, symbols and descriptions are used for reference only. It is not implied that any part listed is the product of these manufacturers.