

OIL PAN GASKET

431277



Description: OIL PAN GASKET
SKU: 431277
OEM: N/A
Product Group: ENGINE PARTS
Product Class: ENGINE GASKETS, O-RINGS & GASKET SETS
UPC Code: 193807057787
Sell Pack: 1 EA
Weight: 1.10 LBS
Warranty: 2 Years

Details:

Oil Pan Gasket
 Year: 1993-2003 International DT408/DT466/DT530E HEUI/DT466E HEUI Engines application

E-Catalog Pages:

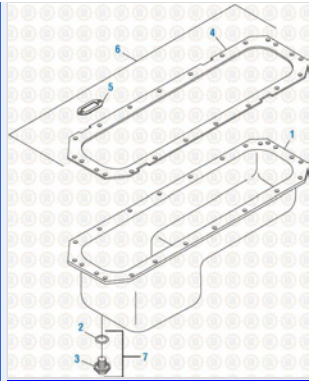
Catalog Page	Description
	<p>International Engine 2019 Rebuild Kit Breakdown - DT-466 / DT-530 (1993-1997 PLN)</p>

Copyright © 2020 PAI Industries, Inc.
 All rights reserved. All content is property of PAI Industries, Inc, and may not be reproduced or redistributed in any form.

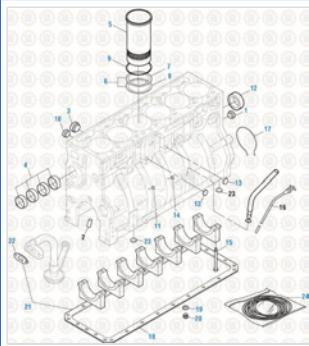
Any reference to OEM names or OEM product identification numbers/descriptions/model numbers is for identification only and does not indicate that it is an OEM part. PAI is not affiliated with Mack Truck, Inc.®, Volvo®, Fuller®, Cummins®, Eaton®, Rockwell®, Caterpillar®, Freightliner®, Hendrickson®, Kenworth®, Detroit Diesel®, International®, Peterbilt®, or Dana®. All Manufacturer's names, numbers, symbols and descriptions are used for reference only. It is not implied that any part listed is the product of these manufacturers.

OIL PAN GASKET

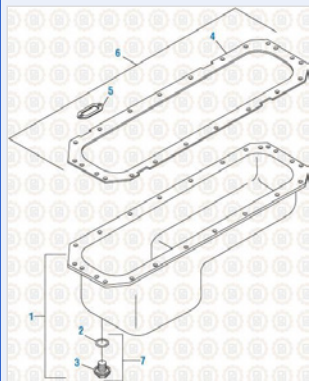
431277



International Engine 2019
Oil Pan - DT-466 / DT-530 (1993-1997 PLN)



International Engine 2019
Cylinder Block Components - DT-466 / DT-530 (1993-1997 PLN)



International Engine 2019
Oil Pan - DT-466E / DT-530E (2000-2003)



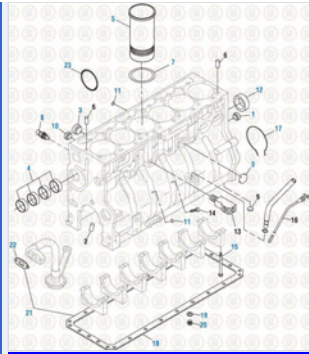
International Engine 2019
Rebuild Kit Breakdown - DT-466E / DT-530E (2000-2003)

Copyright © 2020 PAI Industries, Inc.
All rights reserved. All content is property of PAI Industries, Inc. and may not be reproduced or redistributed in any form.

Any reference to OEM names or OEM product identification numbers/descriptions/model numbers is for identification only and does not indicate that it is an OEM part. PAI is not affiliated with Mack Truck, Inc.®, Volvo®, Fuller®, Cummins®, Eaton®, Rockwell®, Caterpillar®, Freightliner®, Hendrickson®, Kenworth®, Detroit Diesel®, International®, Peterbilt®, or Dana®. All Manufacturer's names, numbers, symbols and descriptions are used for reference only. It is not implied that any part listed is the product of these manufacturers.

OIL PAN GASKET

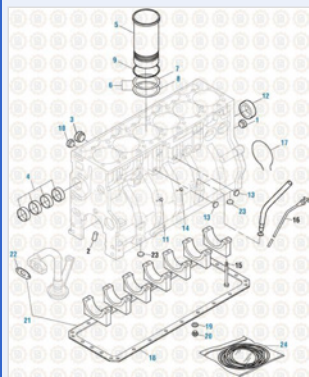
431277



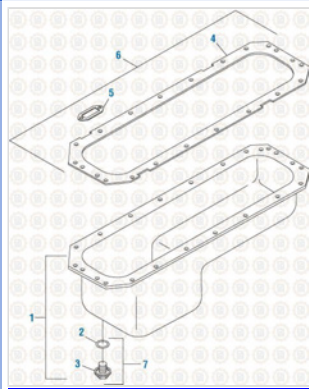
International Engine 2019
Cylinder Block Components - DT-466E / DT-530E (2000-2003)



International Engine 2019
Rebuild Kit Breakdown - DT-466E / DT-530E (1993-1999 HEUI)



International Engine 2019
Cylinder Block Components - DT-466E / DT-530E (1993-1999 HEUI)



International Engine 2019
Oil Pan - DT-466E / DT-530E (1993-1999 HEUI)

Consists Of:



Copyright © 2020 PAI Industries, Inc.

All rights reserved. All content is property of PAI Industries, Inc. and may not be reproduced or redistributed in any form.

Any reference to OEM names or OEM product identification numbers/descriptions/model numbers is for identification only and does not indicate that it is an OEM part. PAI is not affiliated with Mack Truck, Inc.®, Volvo®, Fuller®, Cummins®, Eaton®, Rockwell®, Caterpillar®, Freightliner®, Hendrickson®, Kenworth®, Detroit Diesel®, International®, Peterbilt®, or Dana®. All Manufacturer's names, numbers, symbols and descriptions are used for reference only. It is not implied that any part listed is the product of these manufacturers.

OIL PAN GASKET

431277

SKU	OEM	Image	Description	Quantity
431252	1826587C1		OIL PAN GASKET	1
431253	1816722C2		OIL PICK-UP GASKET	1

Component Of:

SKU	Image	Description
408101-001	.	ENGINE KIT
408101-002	.	ENGINE KIT
408101-006	.	ENGINE KIT
408101-010	.	ENGINE KIT
466103-001	.	ENGINE KIT
466103-002	.	ENGINE KIT
466103-005	.	ENGINE KIT
466103-006	.	ENGINE KIT
466103-007	.	ENGINE KIT
466103-008	.	ENGINE KIT
466103-009	.	ENGINE KIT
466103-010	.	ENGINE KIT
466103-011	.	ENGINE KIT
466103-014	.	ENGINE KIT
466103-015	.	ENGINE KIT
466103-016	.	ENGINE KIT
466103-501	.	ENGINE KIT
466104-001	.	ENGINE KIT
466104-001HP	.	HP ENGINE KIT
466104-005	.	ENGINE KIT
466104-006	.	ENGINE KIT
466104-006HP	.	HP ENGINE KIT
466104-007	.	ENGINE KIT
466104-010	.	ENGINE KIT


Copyright © 2020 PAI Industries, Inc.

All rights reserved. All content is property of PAI Industries, Inc. and may not be reproduced or redistributed in any form.

Any reference to OEM names or OEM product identification numbers/descriptions/model numbers is for identification only and does not indicate that it is an OEM part. PAI is not affiliated with Mack Truck, Inc.®, Volvo®, Fuller®, Cummins®, Eaton®, Rockwell®, Caterpillar®, Freightliner®, Hendrickson®, Kenworth®, Detroit Diesel®, International®, Peterbilt®, or Dana®. All Manufacturer's names, numbers, symbols and descriptions are used for reference only. It is not implied that any part listed is the product of these manufacturers.

OIL PAN GASKET

431277

466104-011	.	ENGINE KIT
466104-011HP	.	HP ENGINE KIT
466104-501	.	ENGINE KIT
466104-506	.	ENGINE KIT
466104-510	.	ENGINE KIT
466104-514	.	ENGINE KIT
466107-001	.	ENGINE KIT
466107-002	.	ENGINE KIT
466107-006	.	ENGINE KIT
466107-010	.	ENGINE KIT
466107-016	.	ENGINE KIT
466107-501	.	ENGINE KIT
466107-510	.	ENGINE KIT
466109-001	.	ENGINE KIT
466109-002	.	ENGINE KIT
466109-003	.	ENGINE KIT
466109-005	.	ENGINE KIT
466109-006	.	ENGINE KIT
466109-007	.	ENGINE KIT
466109-010	.	ENGINE KIT
466109-011	.	ENGINE KIT
466109-012	.	ENGINE KIT
466109-015	.	ENGINE KIT
466109-016	.	ENGINE KIT
466110-001	.	ENGINE KIT
466110-002	.	ENGINE KIT
466110-006	.	ENGINE KIT
466110-007	.	ENGINE KIT
466110-011	.	ENGINE KIT
466110-501	.	ENGINE KIT
466111-001		ENGINE KIT
466111-001HP	.	HIGH PERFORMANCE ENGINE KIT





Copyright © 2020 PAI Industries, Inc.

All rights reserved. All content is property of PAI Industries, Inc. and may not be reproduced or redistributed in any form.

Any reference to OEM names or OEM product identification numbers/descriptions/model numbers is for identification only and does not indicate that it is an OEM part. PAI is not affiliated with Mack Truck, Inc.®, Volvo®, Fuller®, Cummins®, Eaton®, Rockwell®, Caterpillar®, Freightliner®, Hendrickson®, Kenworth®, Detroit Diesel®, International®, Peterbilt®, or Dana®. All Manufacturer's names, numbers, symbols and descriptions are used for reference only. It is not implied that any part listed is the product of these manufacturers.

OIL PAN GASKET

431277

466111-002		ENGINE KIT
466111-005		ENGINE KIT
466111-006		ENGINE KIT
466111-009		ENGINE KIT
466112-001	.	ENGINE KIT
466112-001HP	.	HIGH PERFORMANCE INFRAME ENGINE KIT
466112-002	.	ENGINE KIT
466112-005	.	ENGINE KIT
466112-006	.	ENGINE KIT
466112-010	.	ENGINE KIT
466113-001	.	ENGINE KIT
466113-002	.	ENGINE KIT
466113-005	.	ENGINE KIT
466113-006	.	ENGINE KIT
466113-007	.	ENGINE KIT
466113-011	.	ENGINE KIT
466113-017	.	ENGINE KIT
530101-001	.	ENGINE KIT
530101-001HP	.	HIGH PERFORMANCE ENGINE KIT
530101-002	.	ENGINE KIT
530101-006	.	ENGINE KIT

Copyright © 2020 PAI Industries, Inc.

All rights reserved. All content is property of PAI Industries, Inc. and may not be reproduced or redistributed in any form.

Any reference to OEM names or OEM product identification numbers/descriptions/model numbers is for identification only and does not indicate that it is an OEM part. PAI is not affiliated with Mack Truck, Inc.®, Volvo®, Fuller®, Cummins®, Eaton®, Rockwell®, Caterpillar®, Freightliner®, Hendrickson®, Kenworth®, Detroit Diesel®, International®, Peterbilt®, or Dana®. All Manufacturer's names, numbers, symbols and descriptions are used for reference only. It is not implied that any part listed is the product of these manufacturers.

OIL PAN GASKET

431277

530101-017	.	ENGINE KIT
530102-001	.	ENGINE KIT
530102-006	.	ENGINE KIT
530102-007	.	ENGINE KIT
530102-017	.	ENGINE KIT
530102-018	.	ENGINE KIT
530102-026	.	ENGINE KIT
530103-001	.	ENGINE KIT
530103-006	.	ENGINE KIT
530103-007	.	ENGINE KIT
530103-010	.	ENGINE KIT
530103-014	.	ENGINE KIT
530103-017	.	ENGINE KIT
530104-001	.	ENGINE KIT
530104-006	.	ENGINE KIT
530104-007	.	ENGINE KIT
530104-010	.	ENGINE KIT
530105-001	.	ENGINE KIT
530105-006	.	ENGINE KIT
530106-001	.	ENGINE KIT
530106-002	.	ENGINE KIT
530106-006	.	ENGINE KIT
530131-001	.	INFRAME ENGINE KIT
530131-001HP	.	HIGH PERFORMANCE INFRAME ENGINE KIT
530131-002	.	INFRAME ENGINE KIT
530131-006	.	INFRAME ENGINE KIT
530131-017	.	INFRAME ENGINE KIT

Copyright © 2020 PAI Industries, Inc.

All rights reserved. All content is property of PAI Industries, Inc, and may not be reproduced or redistributed in any form.

Any reference to OEM names or OEM product identification numbers/descriptions/model numbers is for identification only and does not indicate that it is an OEM part. PAI is not affiliated with Mack Truck, Inc.®, Volvo®, Fuller®, Cummins®, Eaton®, Rockwell®, Caterpillar®, Freightliner®, Hendrickson®, Kenworth®, Detroit Diesel®, International®, Peterbilt®, or Dana®. All Manufacturer's names, numbers, symbols and descriptions are used for reference only. It is not implied that any part listed is the product of these manufacturers.